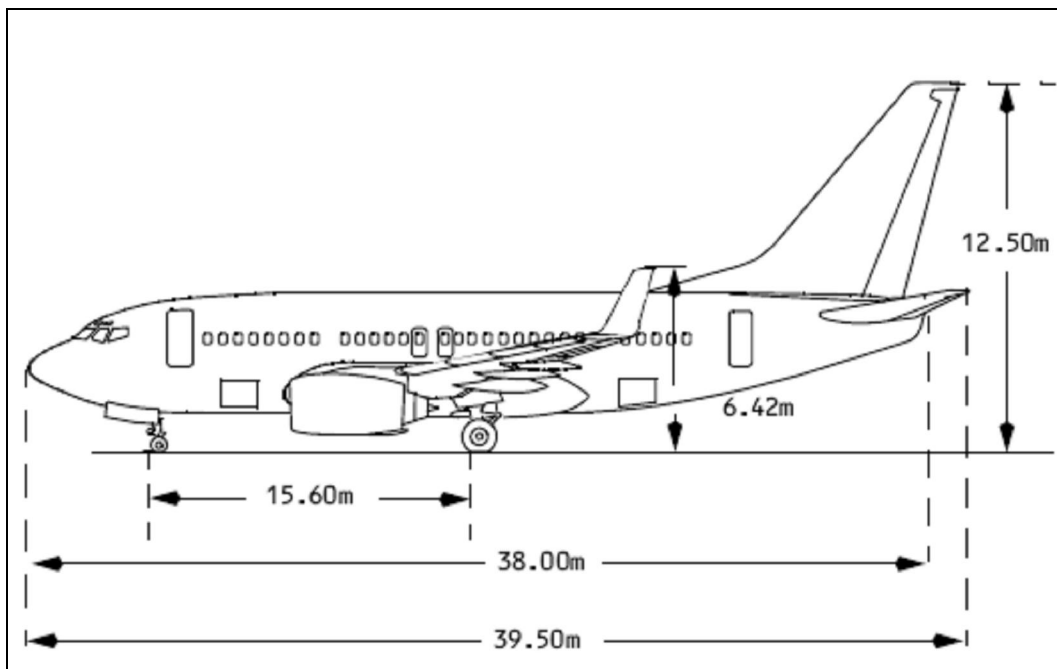


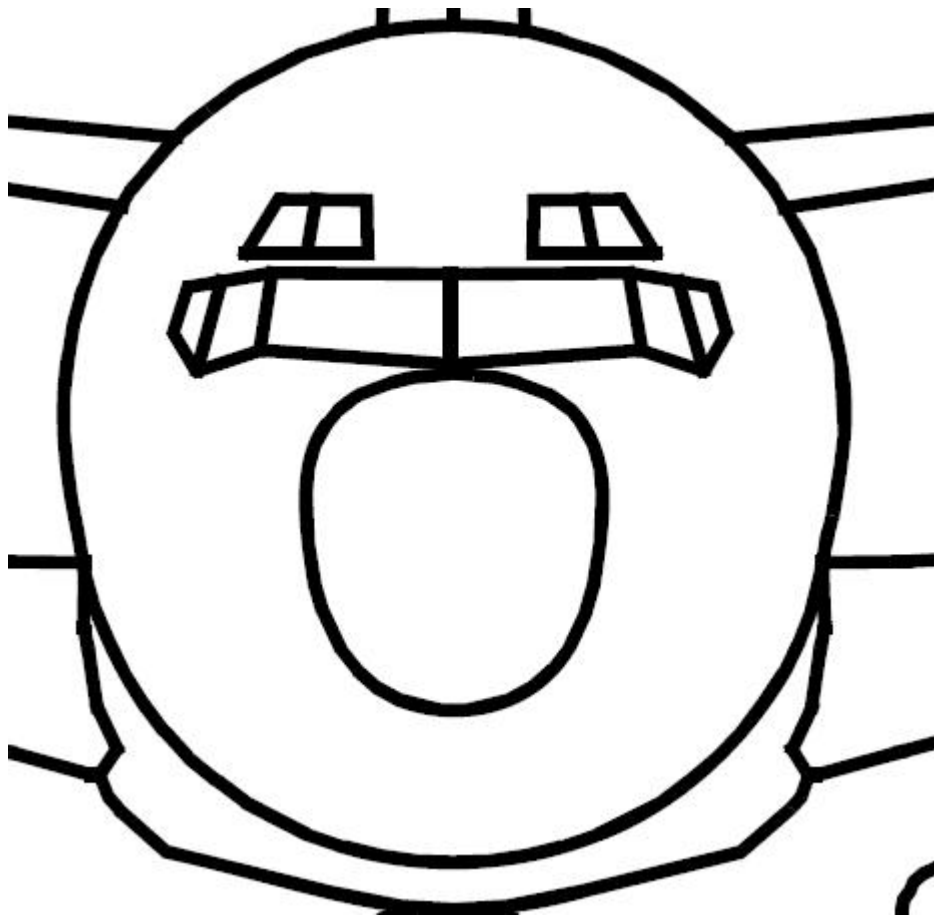
**BOEING 737 MEASUREMENTS**  
**for**  
**HOME FLIGHT SIMULATOR**  
**FLIGHT DECK BUILDING**

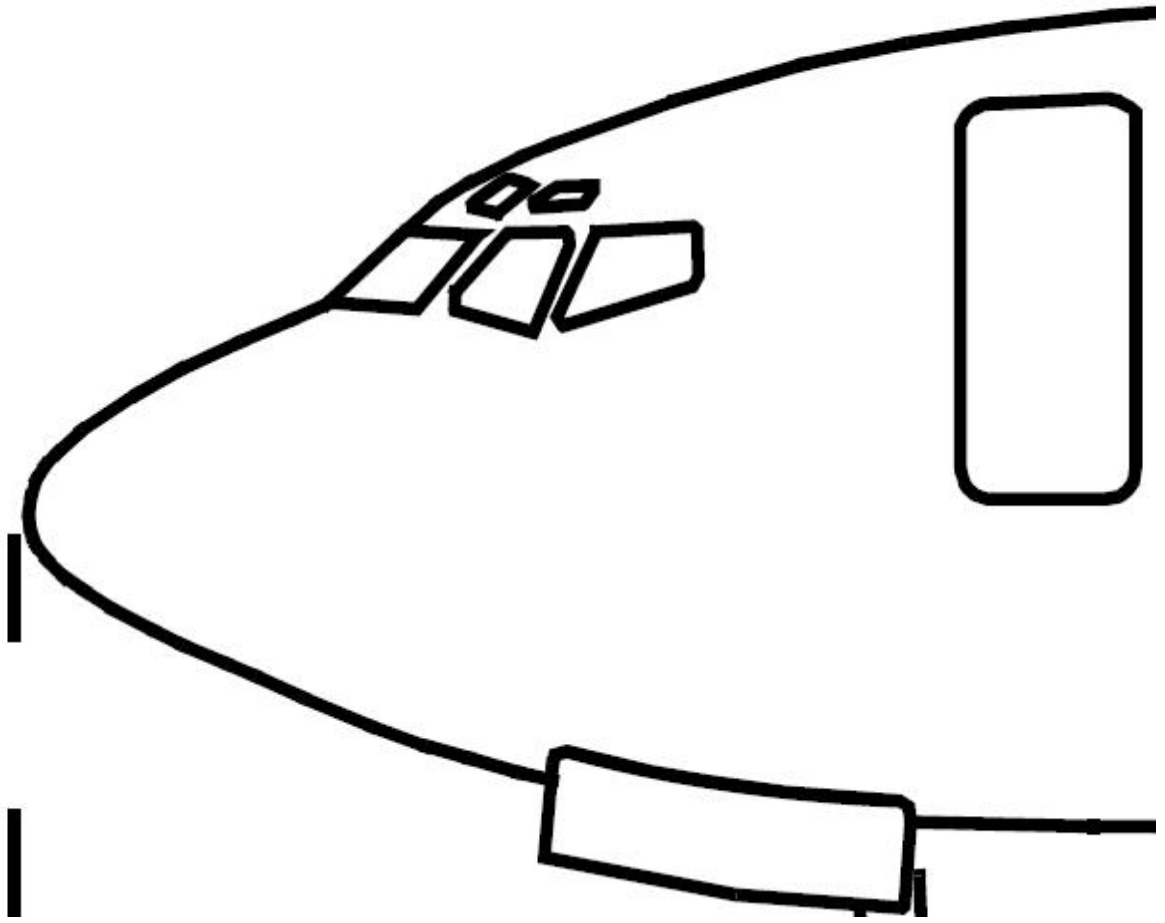


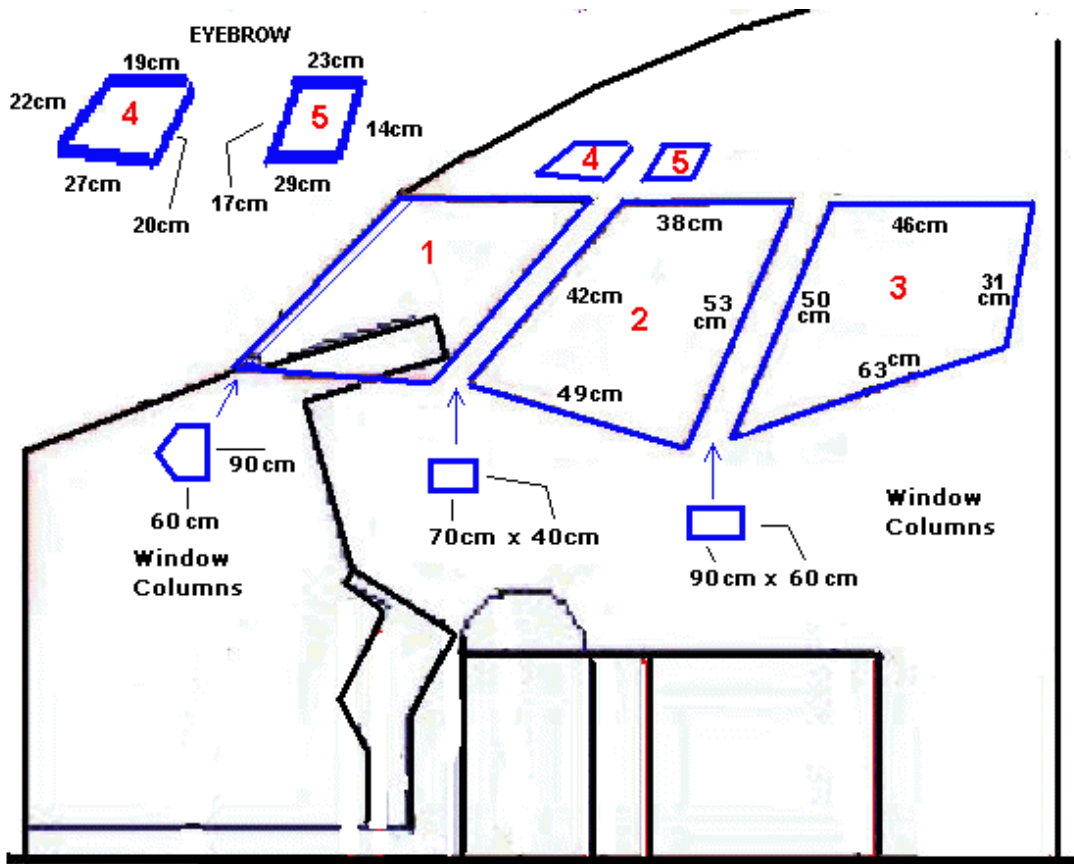
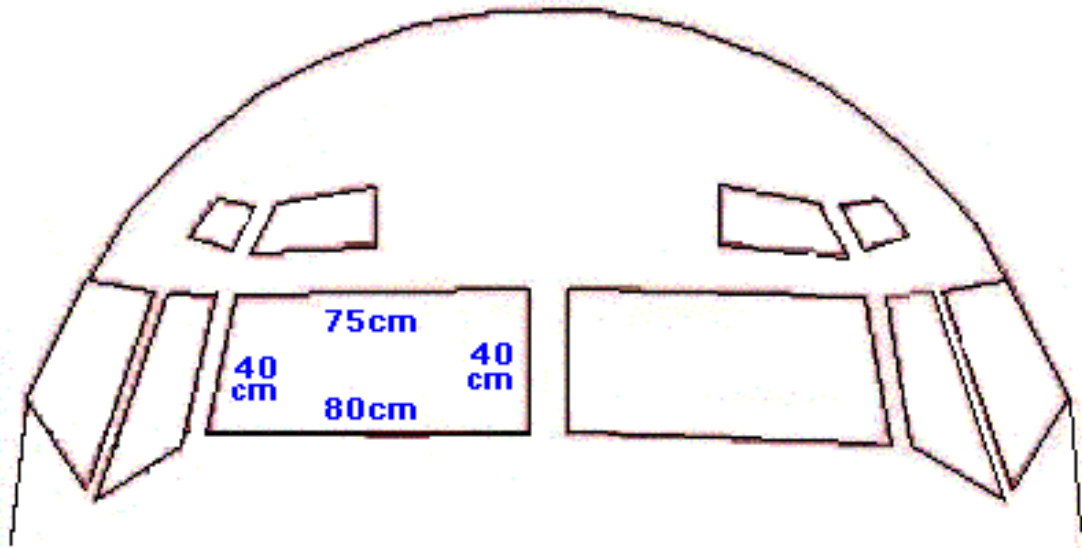
# TABLE of CONTENTS

- [FLIGHT DECK SHELL](#)
- [FLIGHT DECK PLAN](#)
- [MAIN INSTRUMENT PANEL](#)
- [FMC / CDU & LDU PANEL](#)
  - [CONTROL STAND](#)
- [FIRE CONTROL PANEL](#)
  - [AVIONICS PANEL](#)
- [GLARESHIELD PANEL](#)
- [FORWARD OVERHEAD PANEL](#)
  - [AFT OVERHEAD PANEL](#)
    - [SIDEWALL PANELS](#)
    - [CIRCUIT BREAKERS](#)
    - [REAR BULKHEAD](#)
    - [FLIGHT CONTROLS](#)

**FLIGHT DECK SHELL**

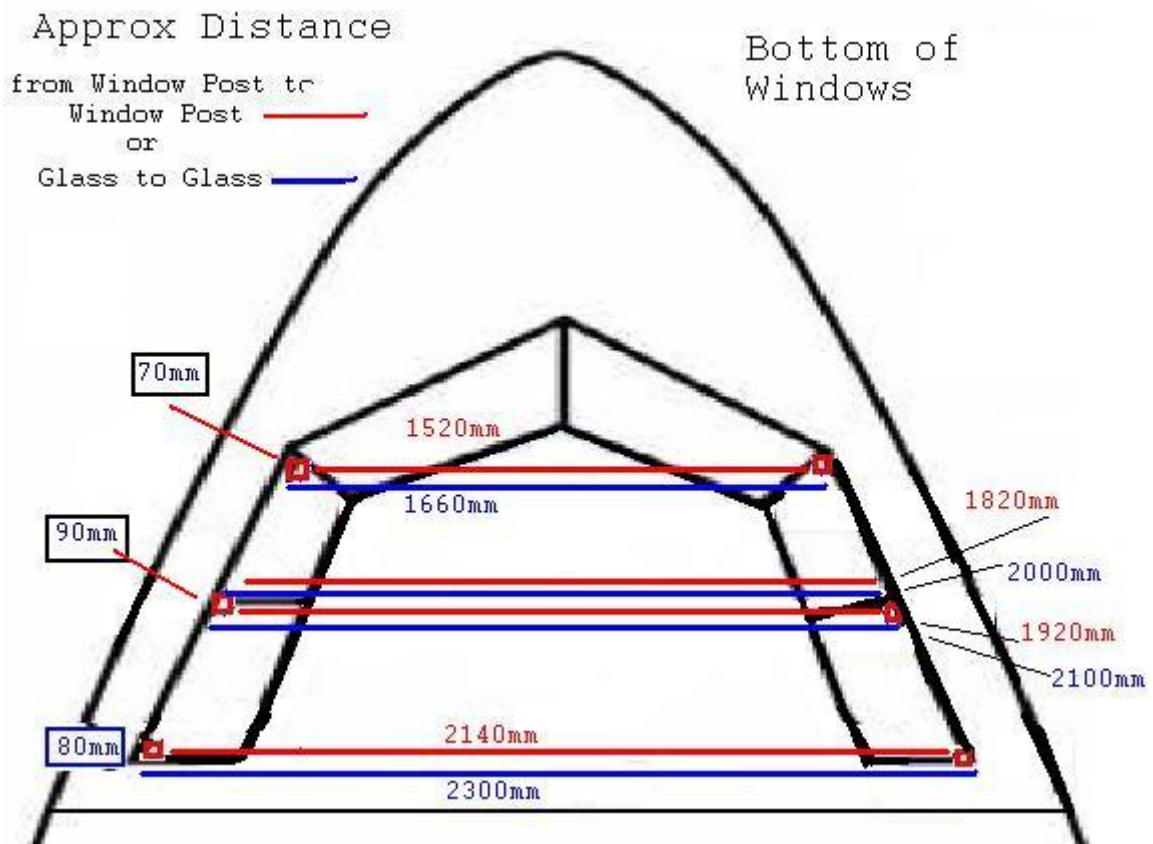
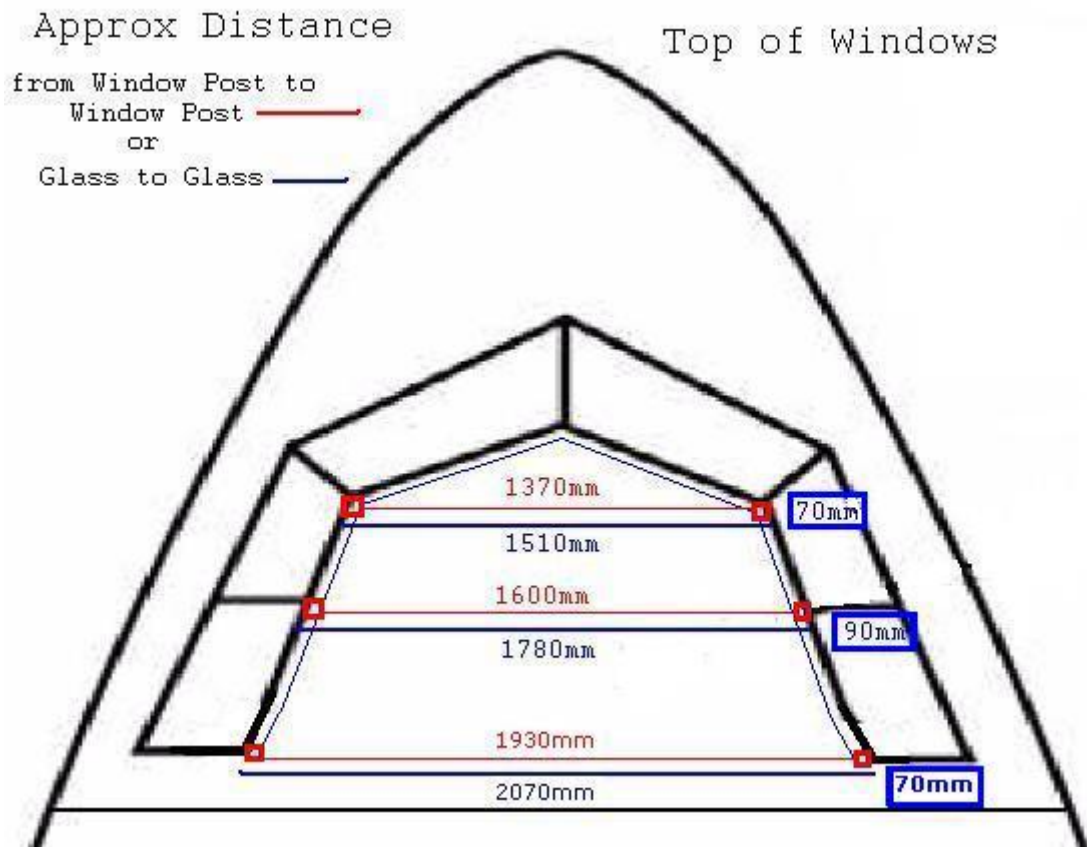




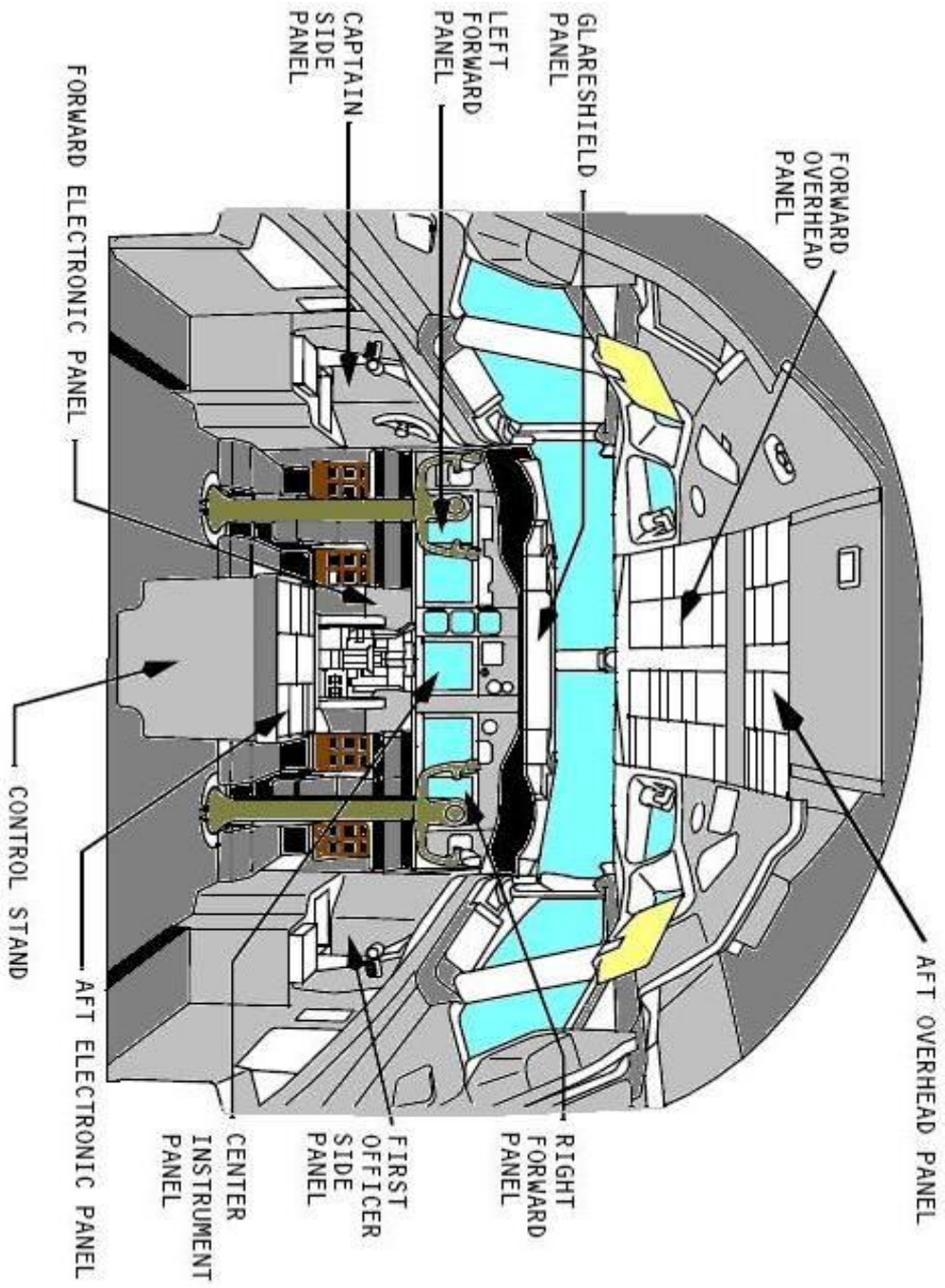


Fwd Window Column 90cm wide 60cm deep;  
 Window 1 / 2 70cm long x 40cm wide;  
 Window 2 / 3 90cm long x 60cm wide

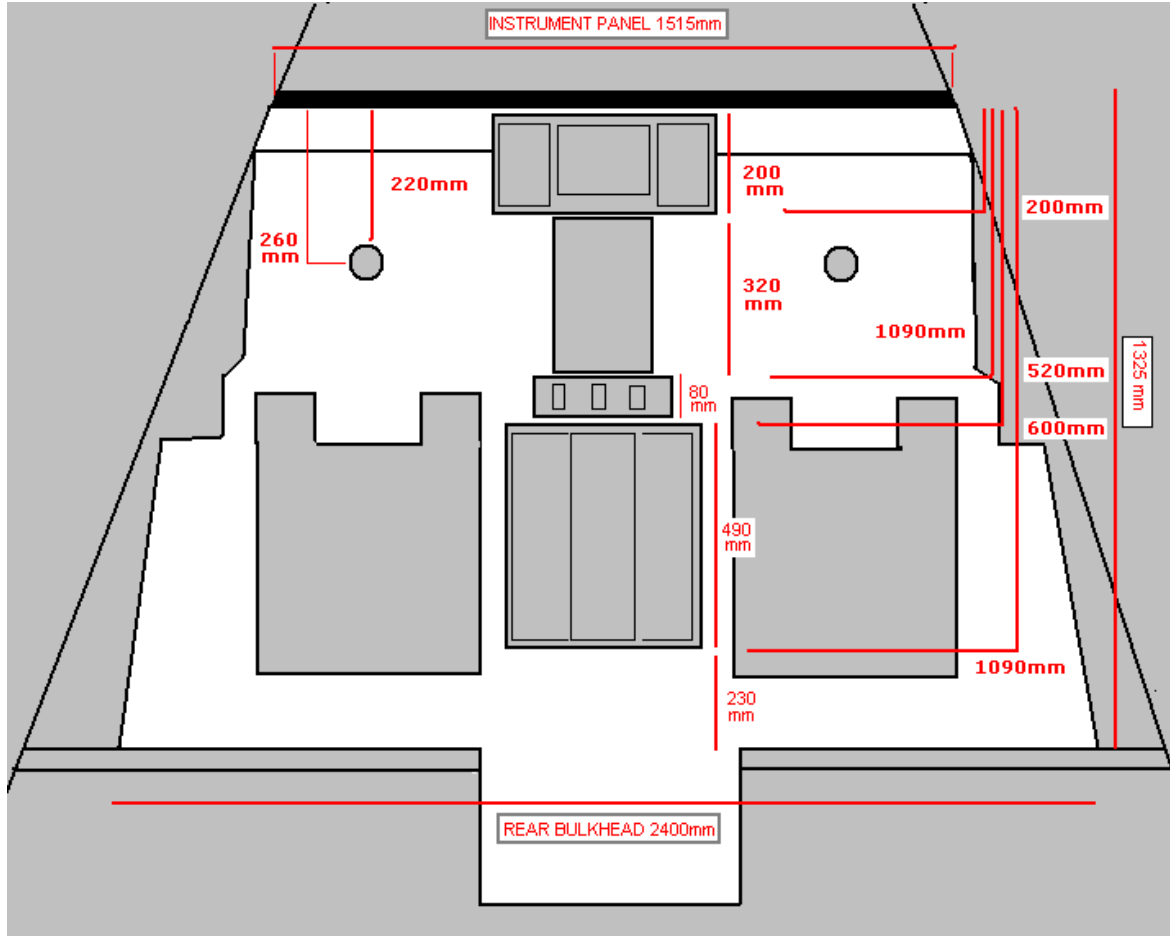
## Frame Dimensions



# FLIGHT DECK PLAN

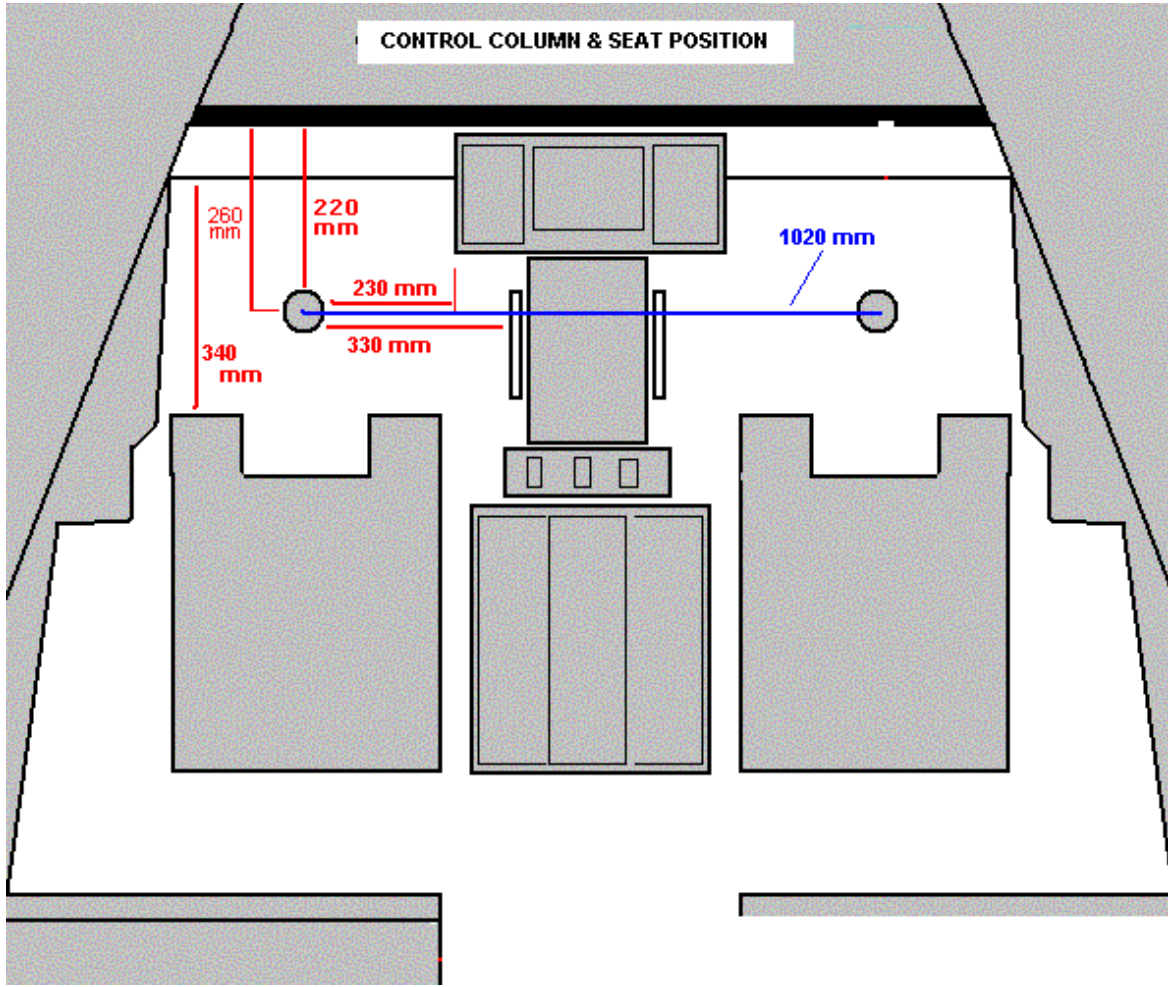


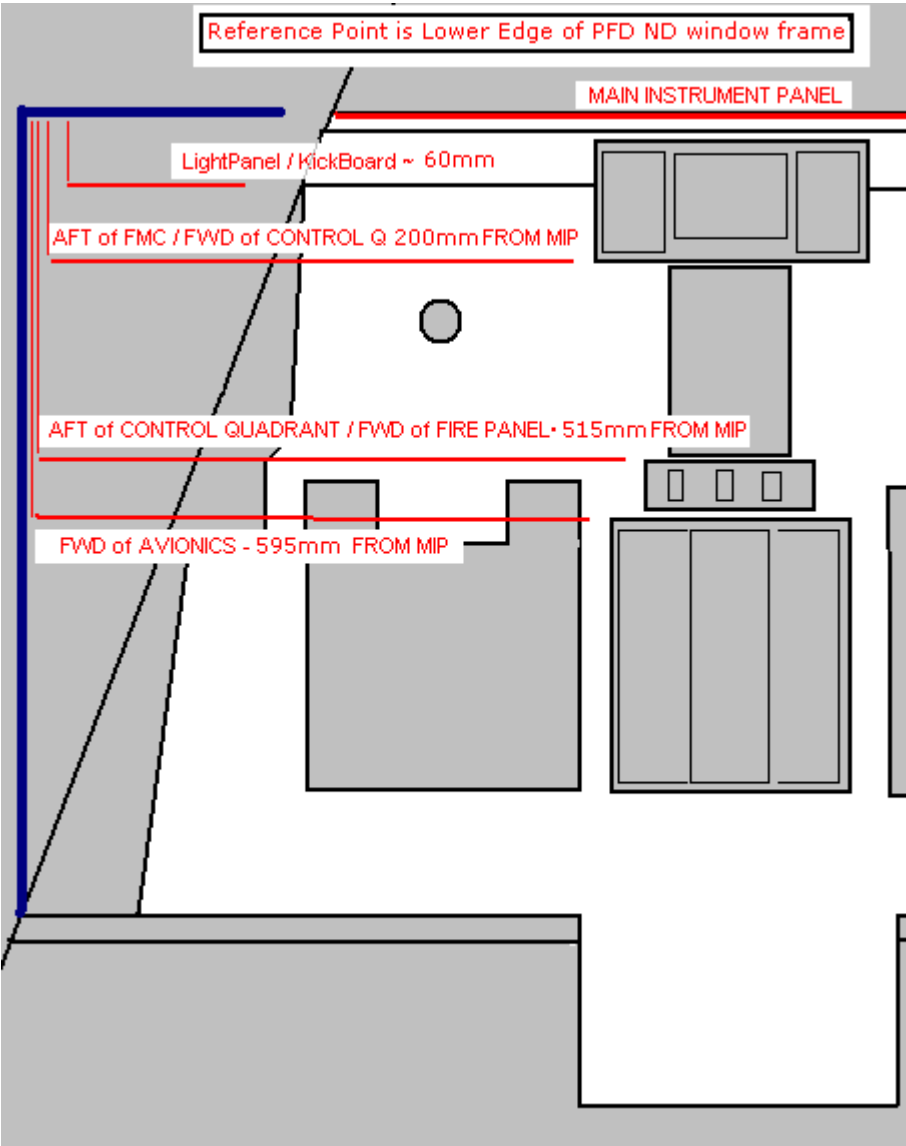
# MEARSUREMENTS referenced from the MAIN INSTRUMENT PANEL

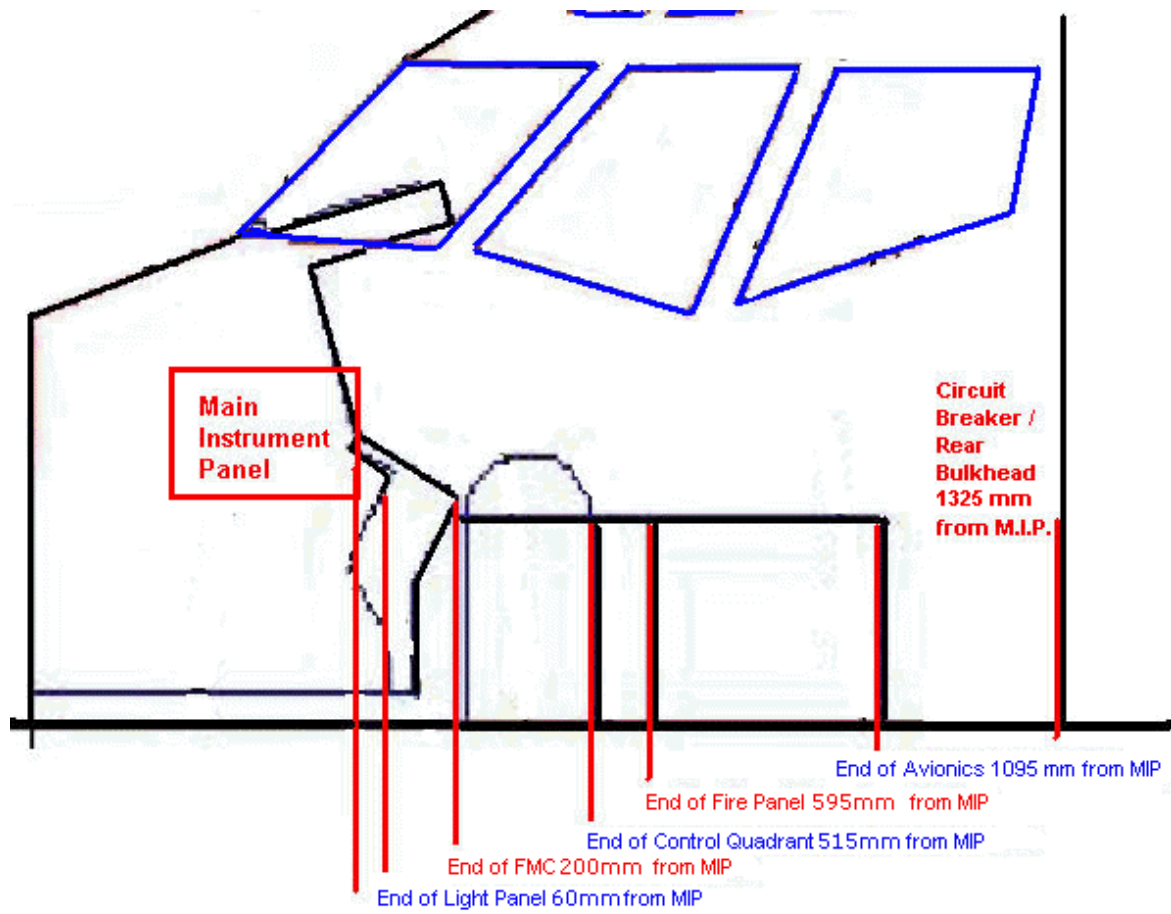


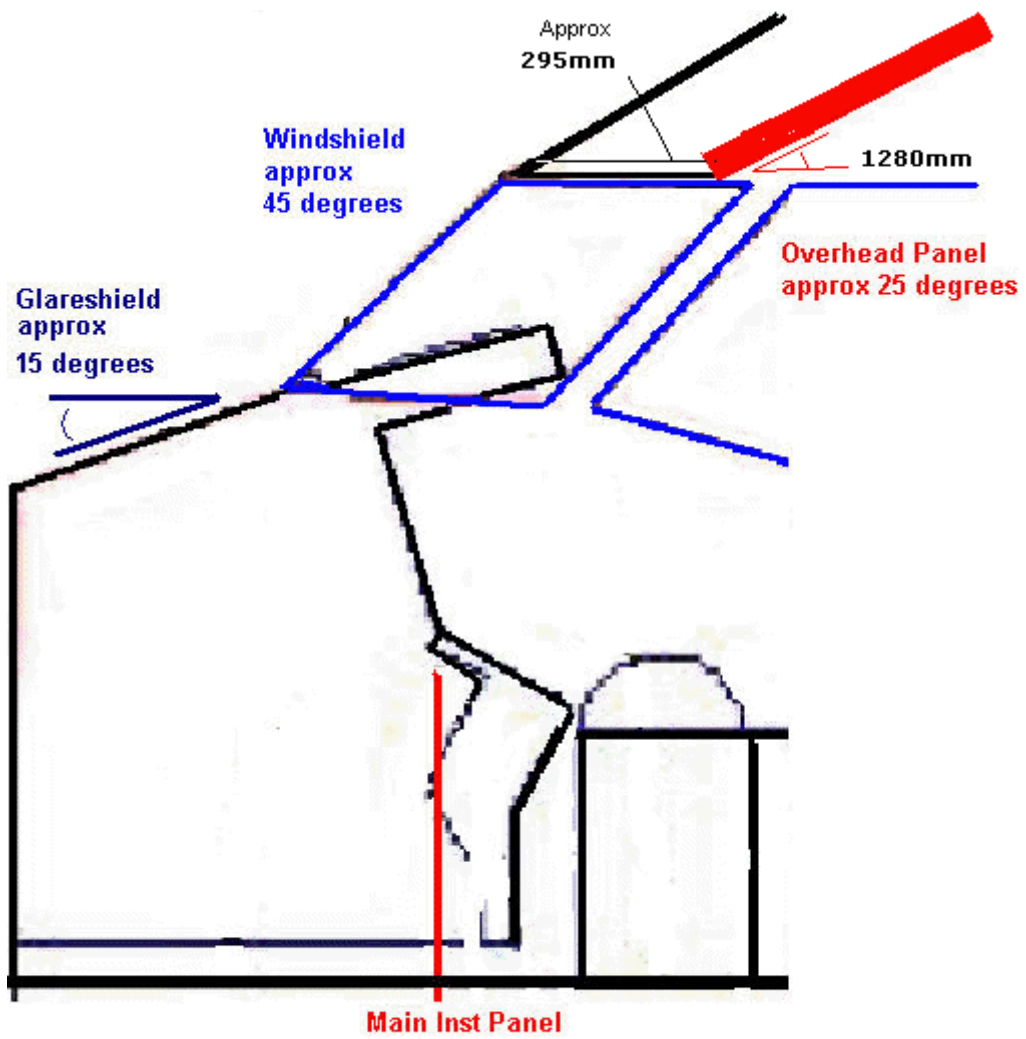


CONTROL COLUMN & SEAT POSITION



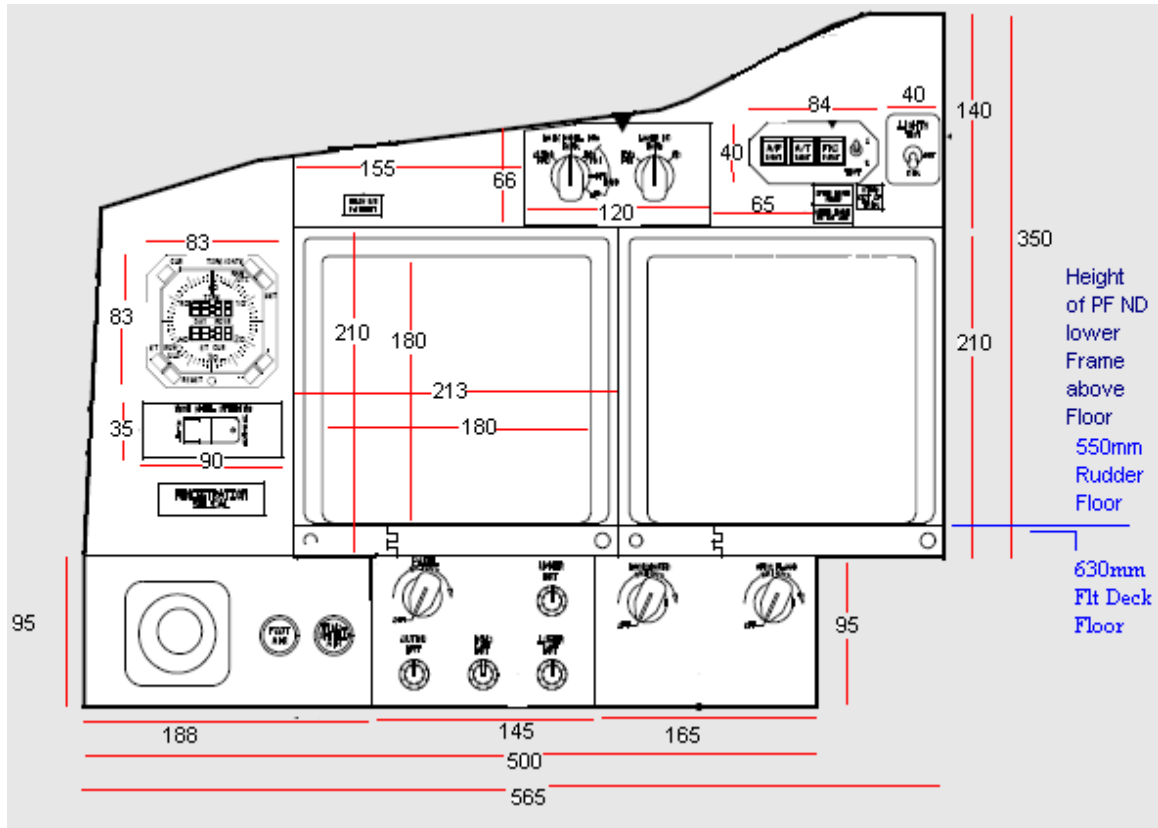






# MAIN INSTRUMENT PANEL

## CAPTAIN'S PANEL



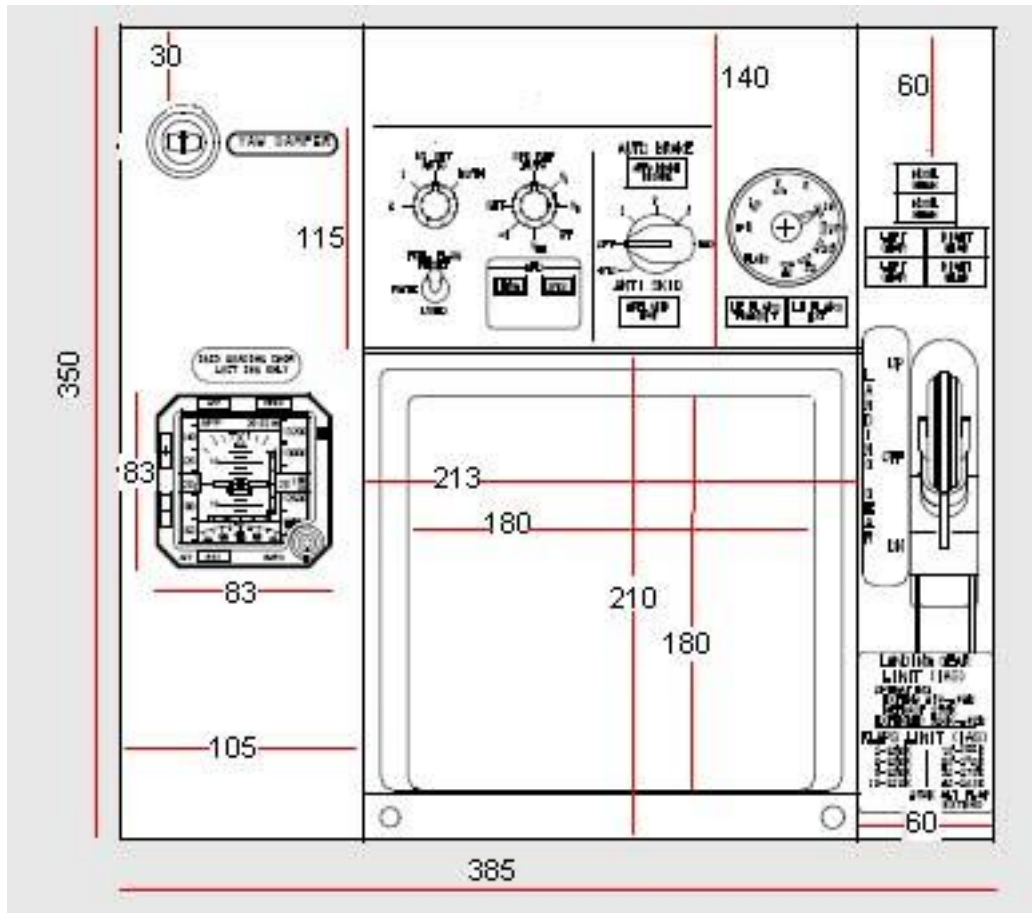
### • Height of Panel.

- Lower edge of the Primary Flight Display / Nav Display is
  - ..... 550mm above the Rudder Floor Level
  - ..... 630mm above the Flight Deck Floor Level
  - .....( Rudder Pedal floor is 70~75mm above Flight Deck Floor )

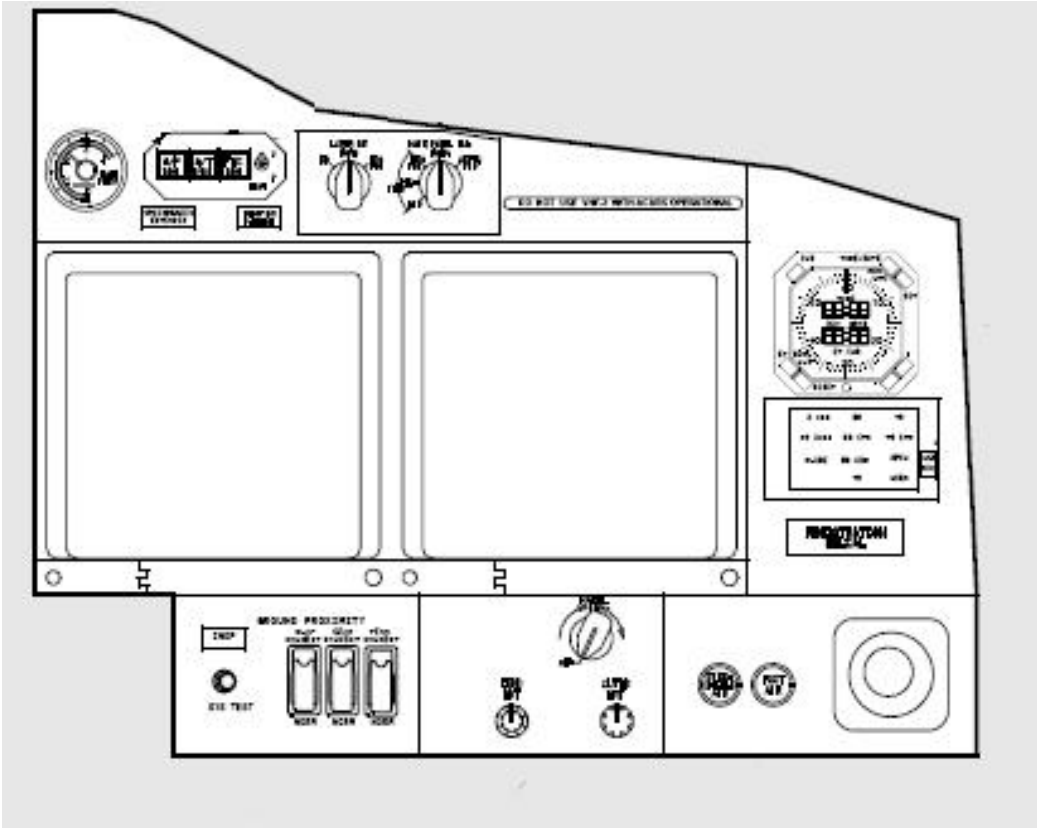
Position of Main Instrument Panel =  
 00 mm from Main Instrument Panel (measured from lower edge of MIP)  
**THIS IS THE POINT AT WHICH I HAVE USED AS A DATUM**  
**OR**  
**REFERENCE POINT FOR ALL MY MEASUREMENTS**

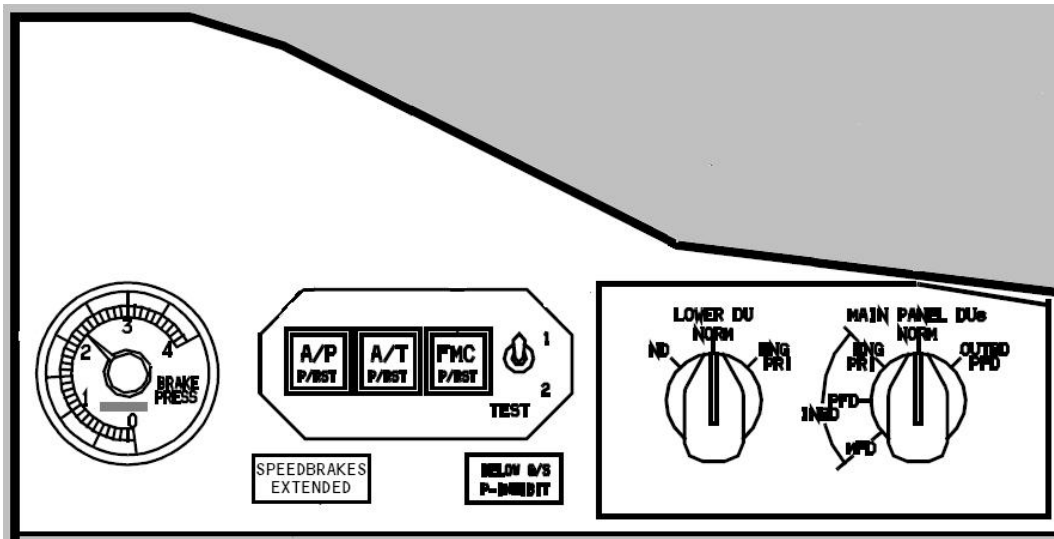
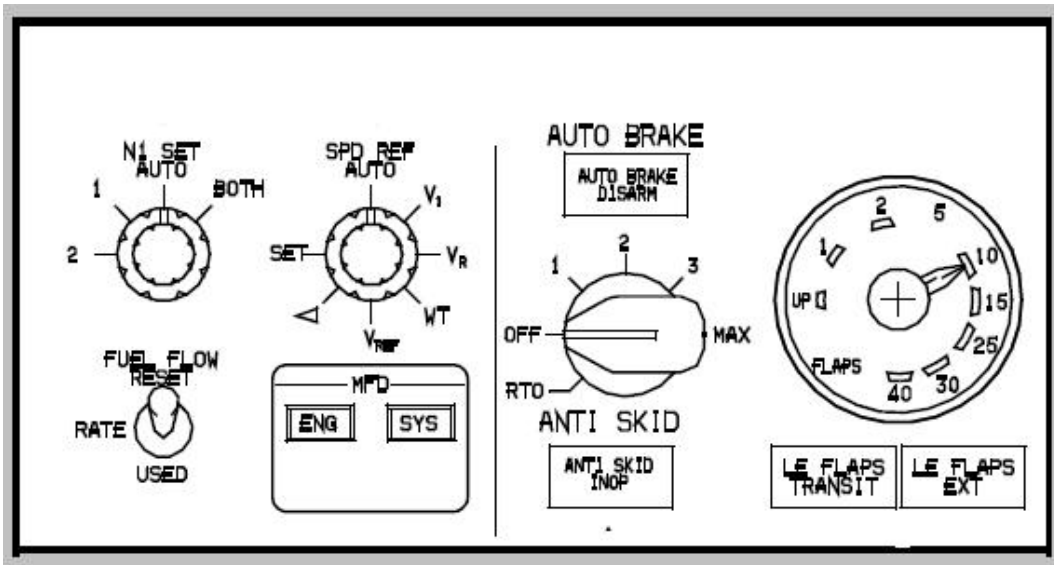
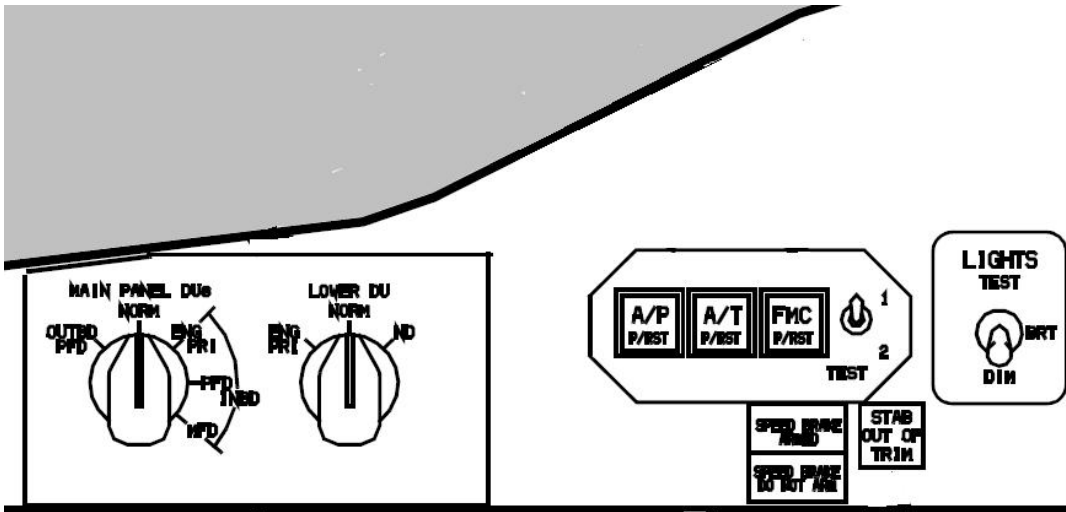
Position of Main Instrument Panel = 1325 mm from Aft Wall Bulkhead

# ENGINE and UPPER DISPLAY UNIT

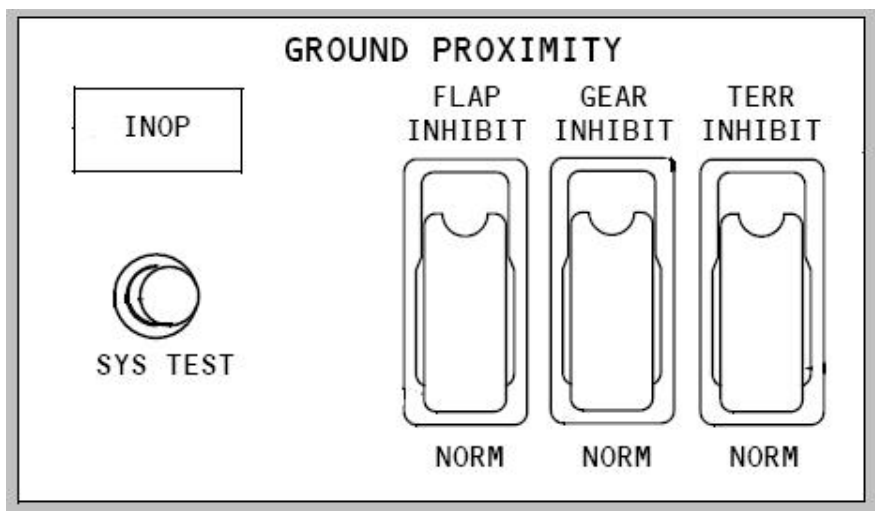
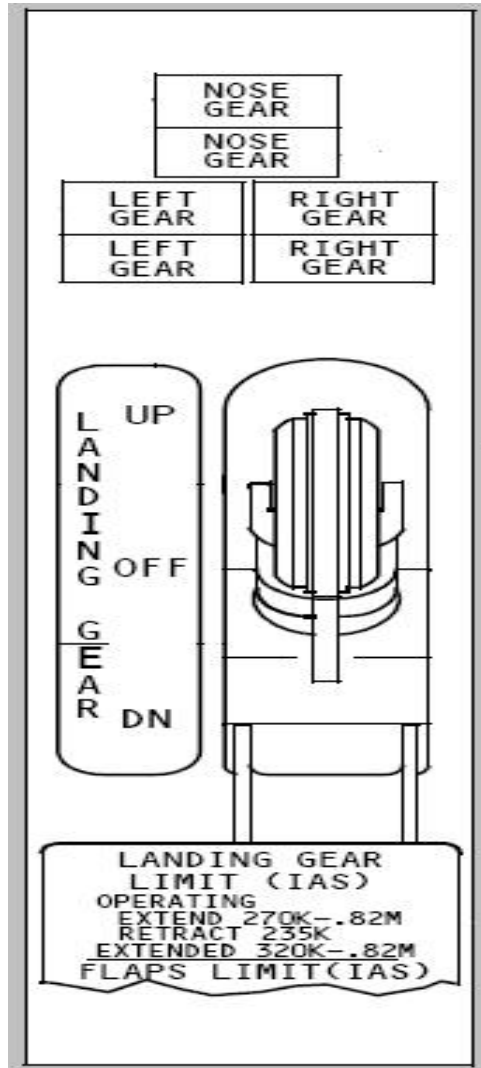


# FIRSTOFFICER PANEL



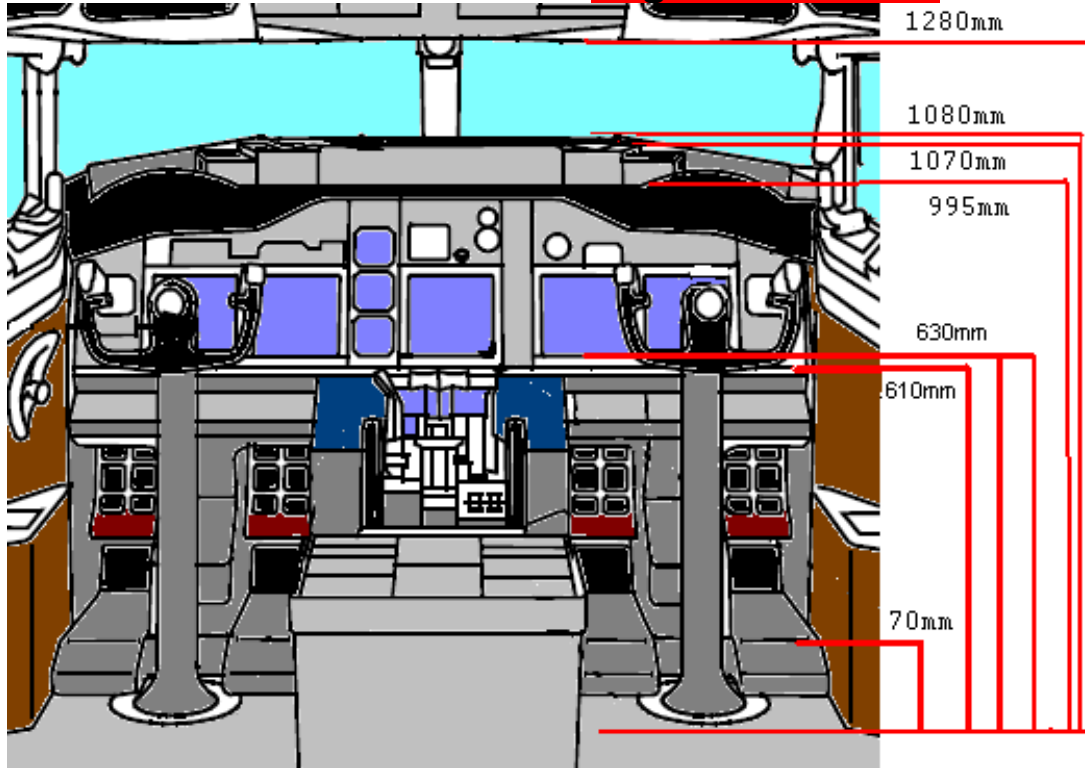




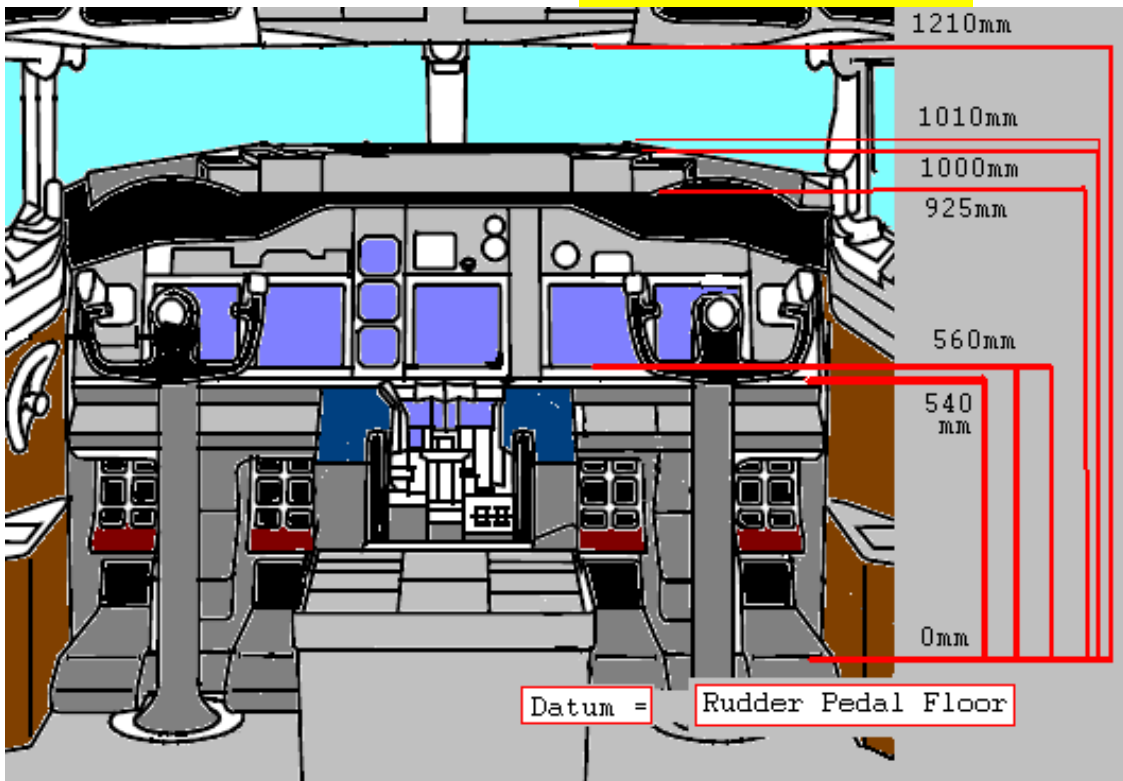


# MAIN INST PANEL

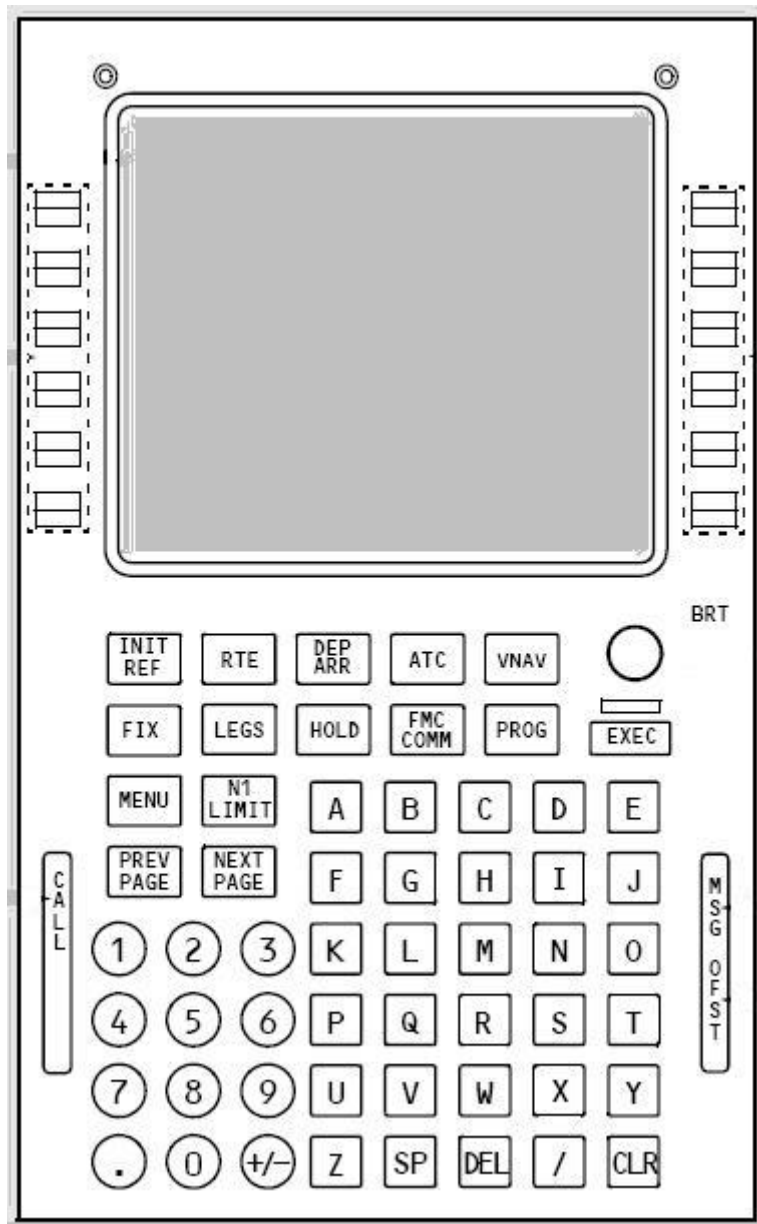
## Measurements from **Flight Deck Floor**



## Measurements from **Rudder Pedal Floor**



## FMC / CDU & LDU PANEL



### FMC PANEL POSITION in the FLIGHT DECK

Position of Forward Edge = 05 mm from Main Instrument Panel  
upper edge abuts the lower edge of the M.I.P.

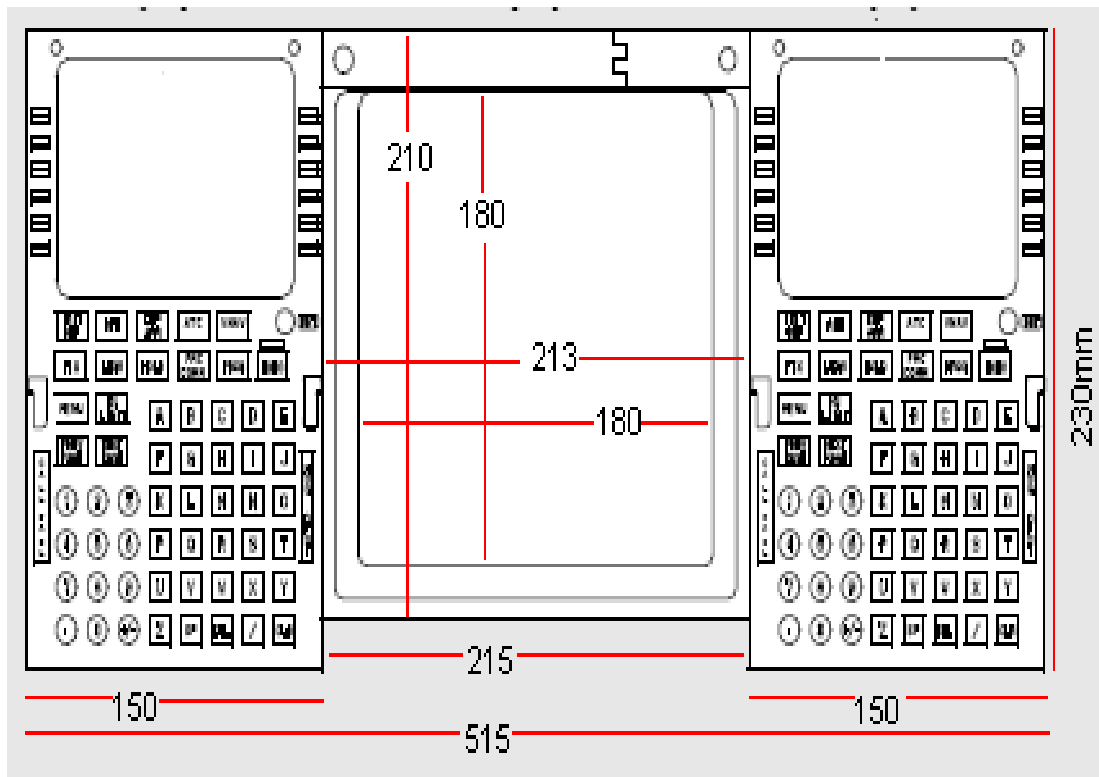
## **FMC & LDU MEASUREMENTS**

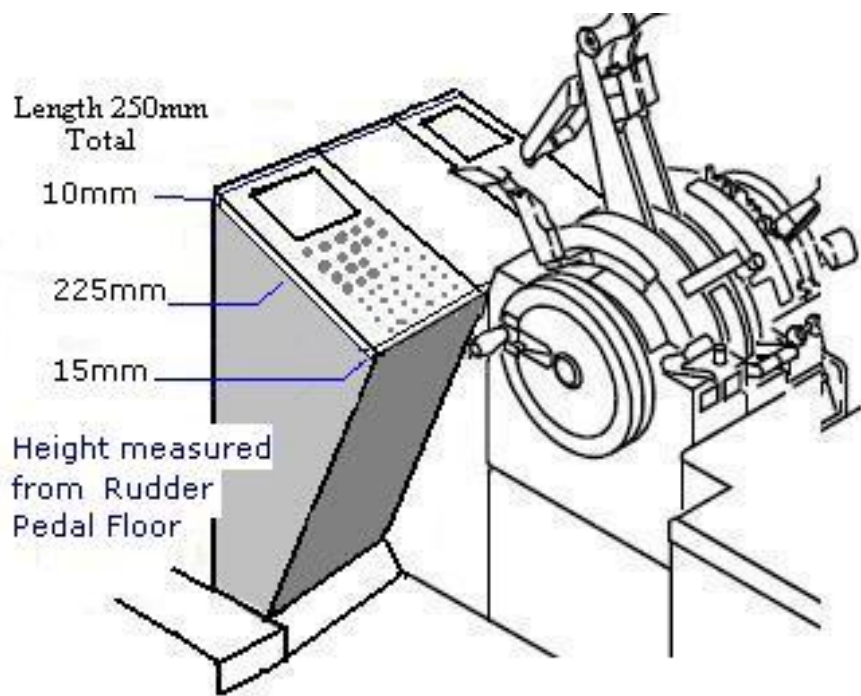
- approximate length mm      • 225 mm
- approximate width mm      • 515 mm

- Height at Top of FMC Unit  
505 mm from (rudder) floor @ top of FMC unit

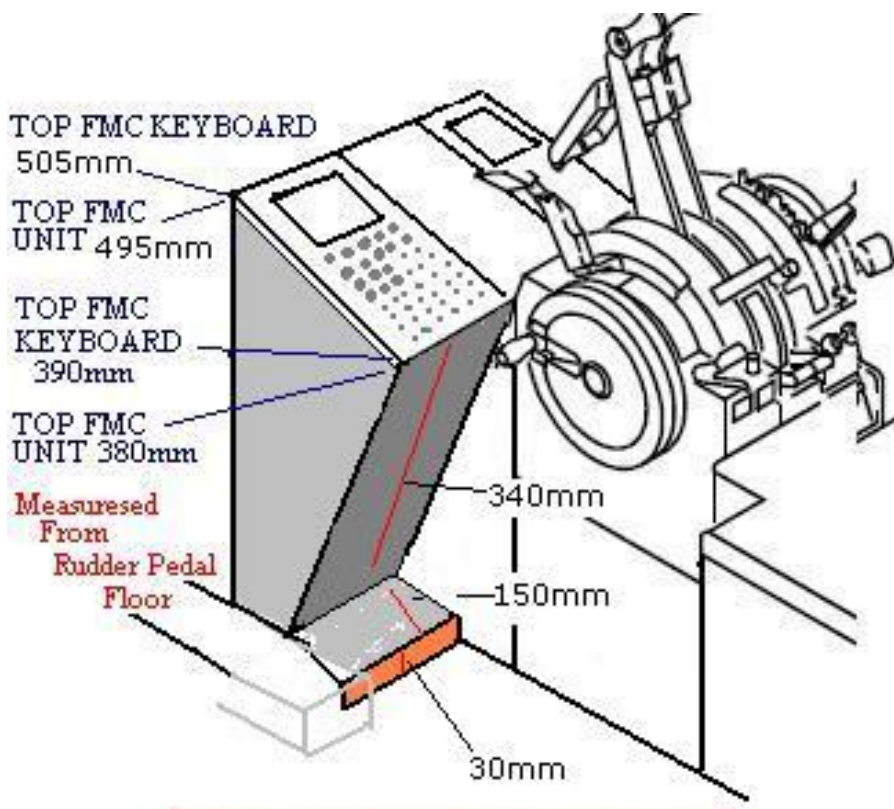
- Height at Bottom of FMC Unit  
390 mm from (rudder) floor @ bottom of FMC keyboard

- SLOPE  
Approx 30 ° slope



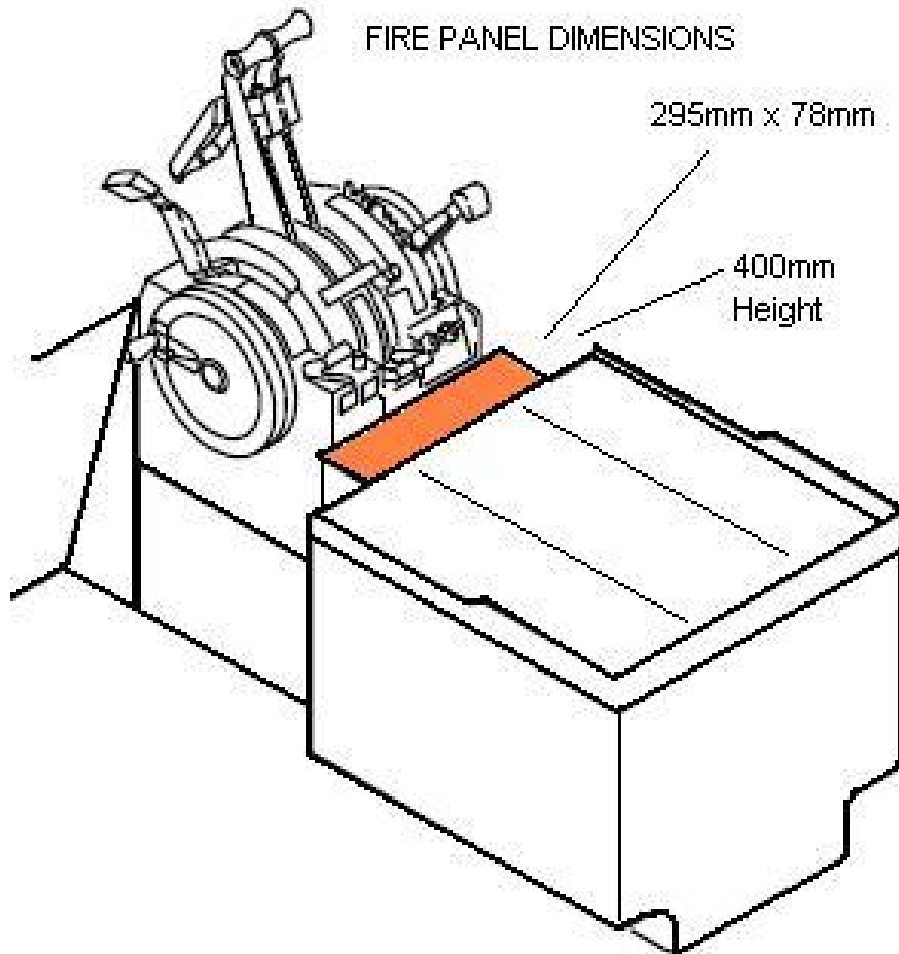


FMC-CDU CENTRE FORWARD SECTION

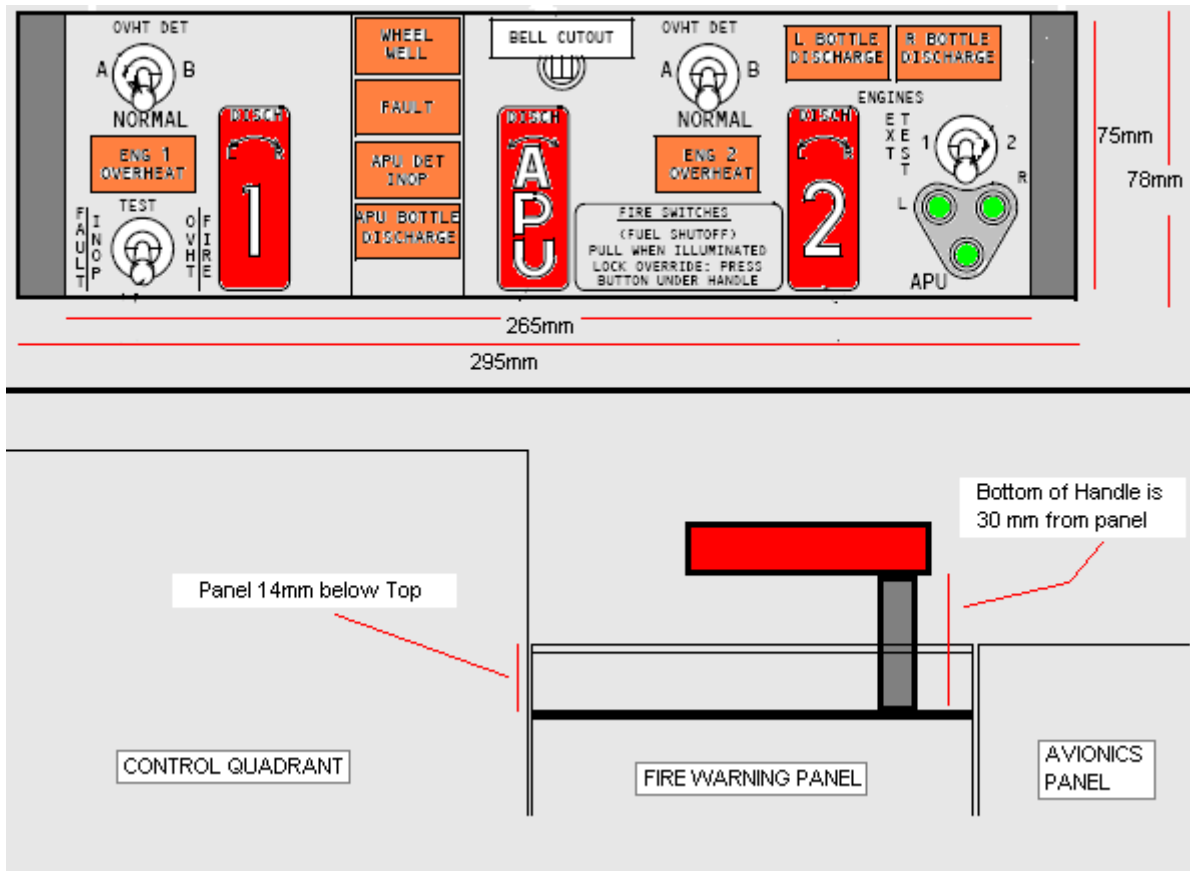


FMC-CDU CENTRE FORWARD SECTION

## FIRE CONTROL PANEL



<b><u>FIRE WARNING PANEL DIMENSIONS</u></b>	
• approximate UNIT length mm •	78 mm
Approx Fire Panel length	75 mm
• approximate width mm •	295 mm for the panel width with space either side of panel
• approximate panel width mm •	265 mm for the Fire Warning Panel width
• approximate height mm •	400 mm for the top edge of the panel frame.
_____ •	Panel is 14 mm below the top edge of the panel frame.

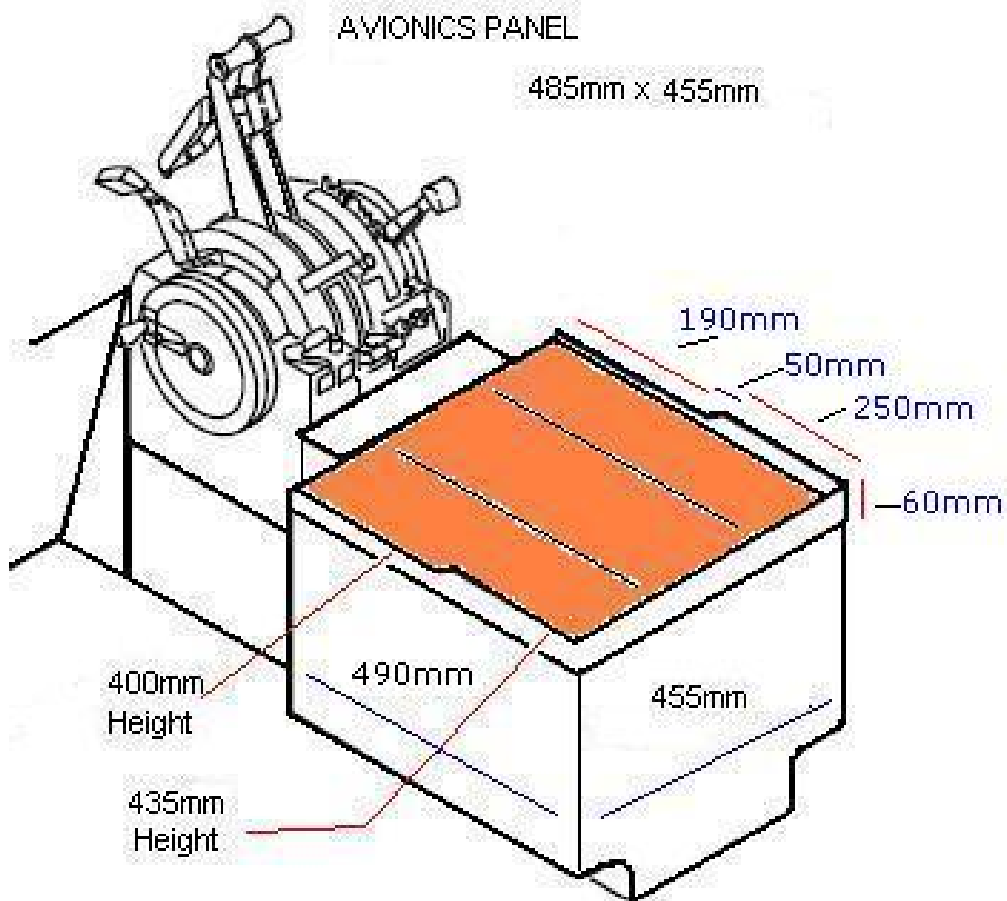


## FIRE WARNING PANEL POSITION in the FLIGHT DECK

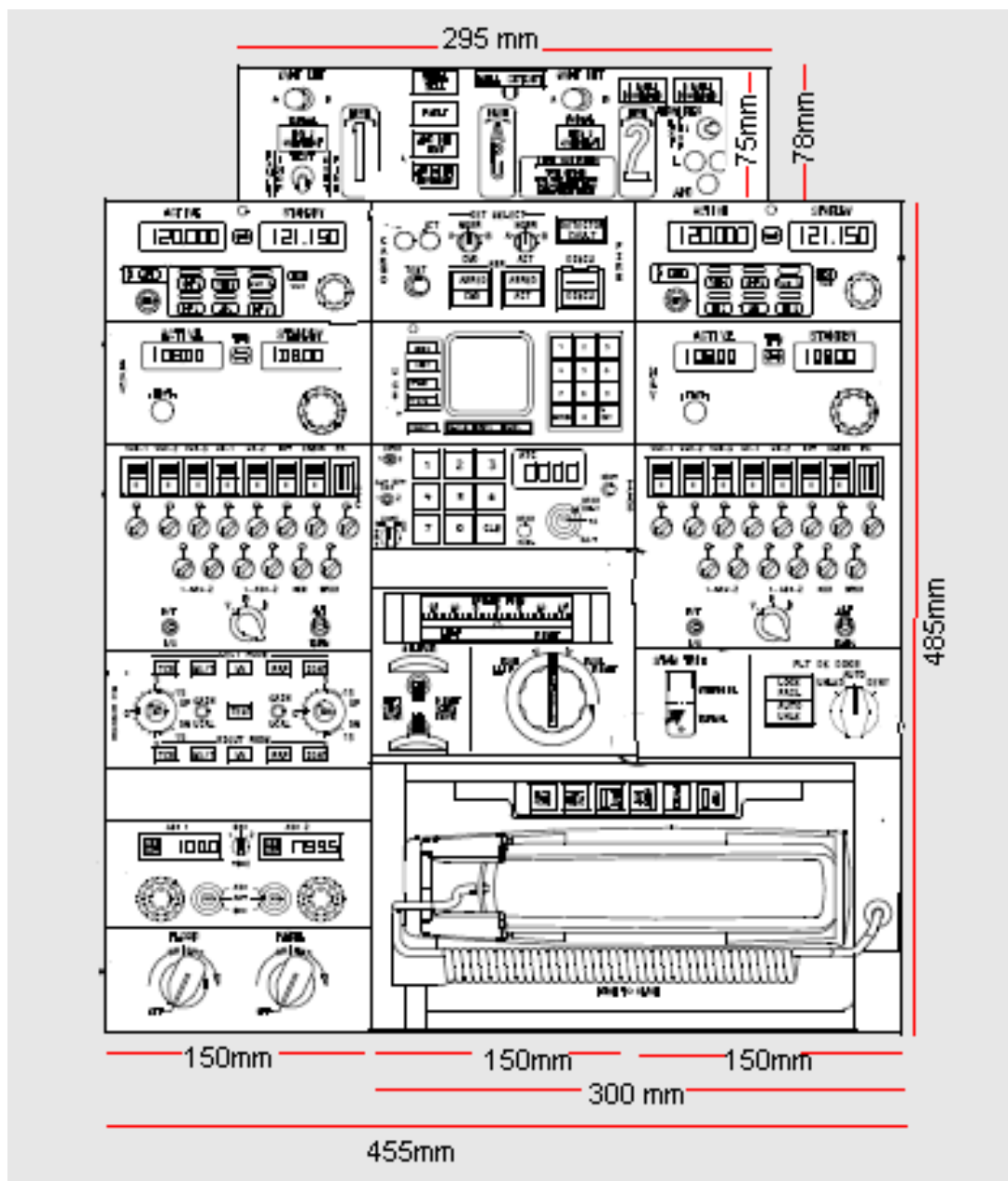
Position of Forward Edge = 515 mm from Main Instrument Panel

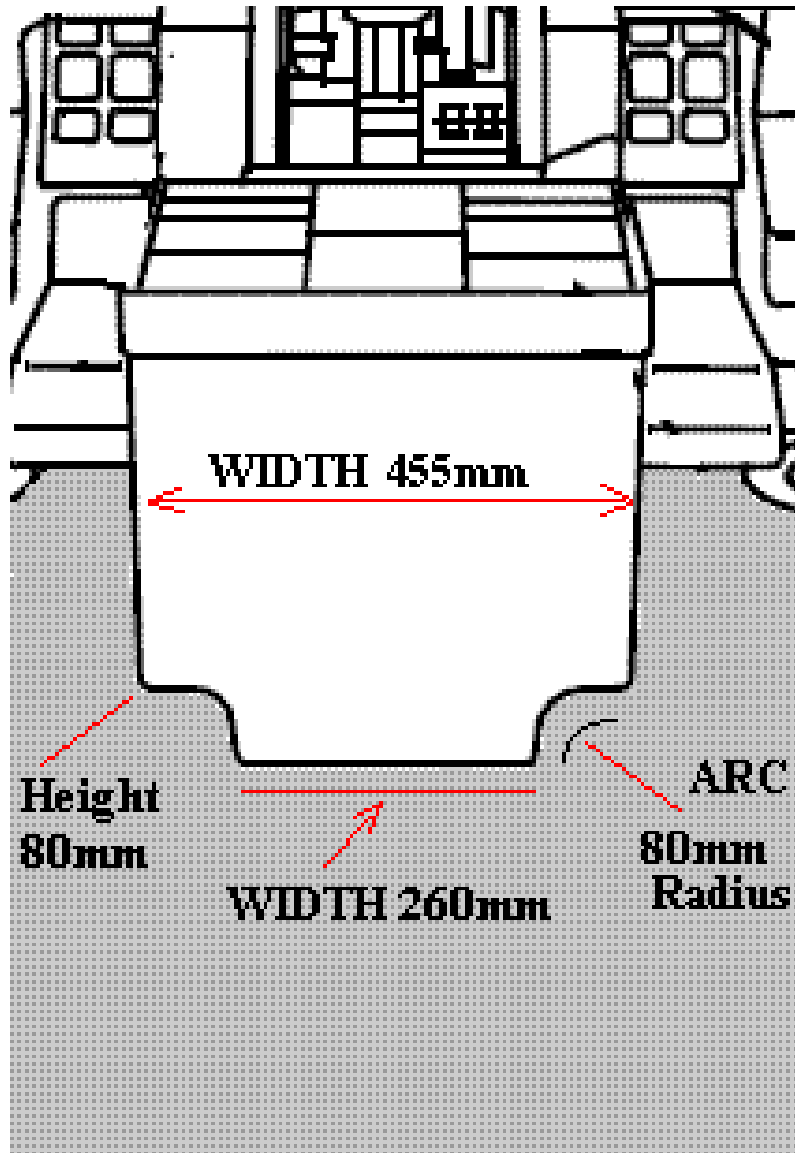
## AVIONICS PANEL

<b>AVIONICS PANEL DIMENSIONS</b>	
• approximate length mm	• 485 mm internal panel measurement
• approximate length mm •	490 mm external - end to end measurement
( Panel Lengths 475mm plus 7mm space at fwd edge and about 3 mm at aft edge = 485mm )	
• approximate width mm •	455 mm
( Panels 147mm wide. 3x147 = 441 plus gap between panels = 450 to 455mm )	
• approximate height mm •	400 mm fwd edge / 435 mm aft edge.
( Raised edge proceeds forward until the volume controls on the AudioSelectPanel and then reduces to Panel level height.)	

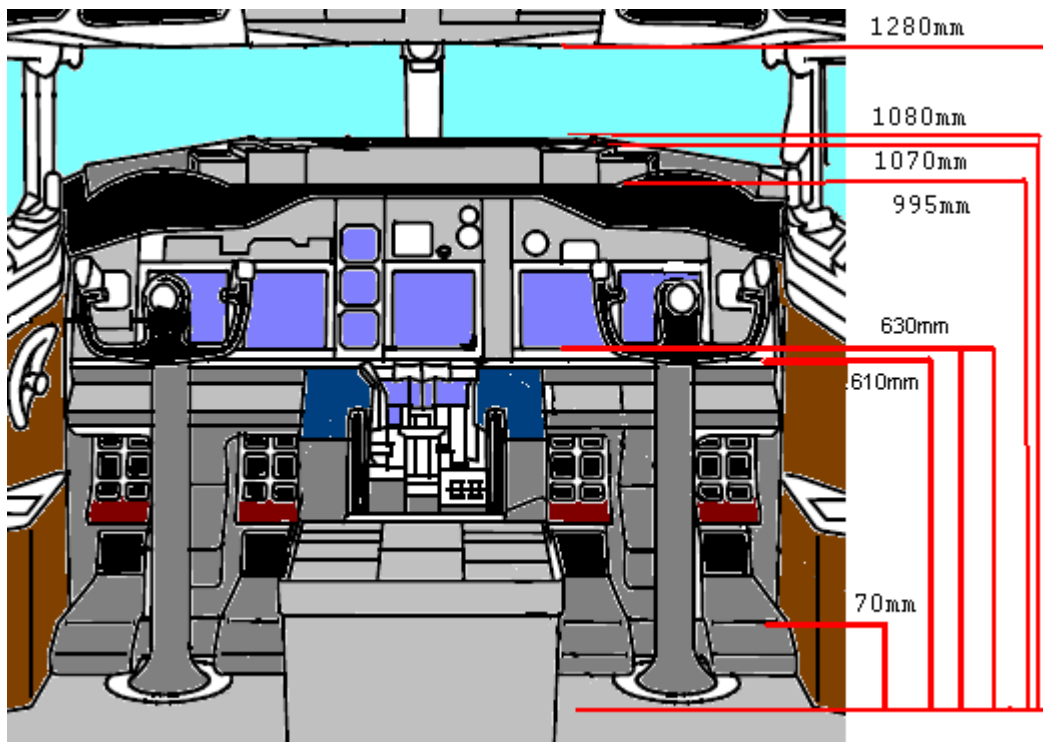


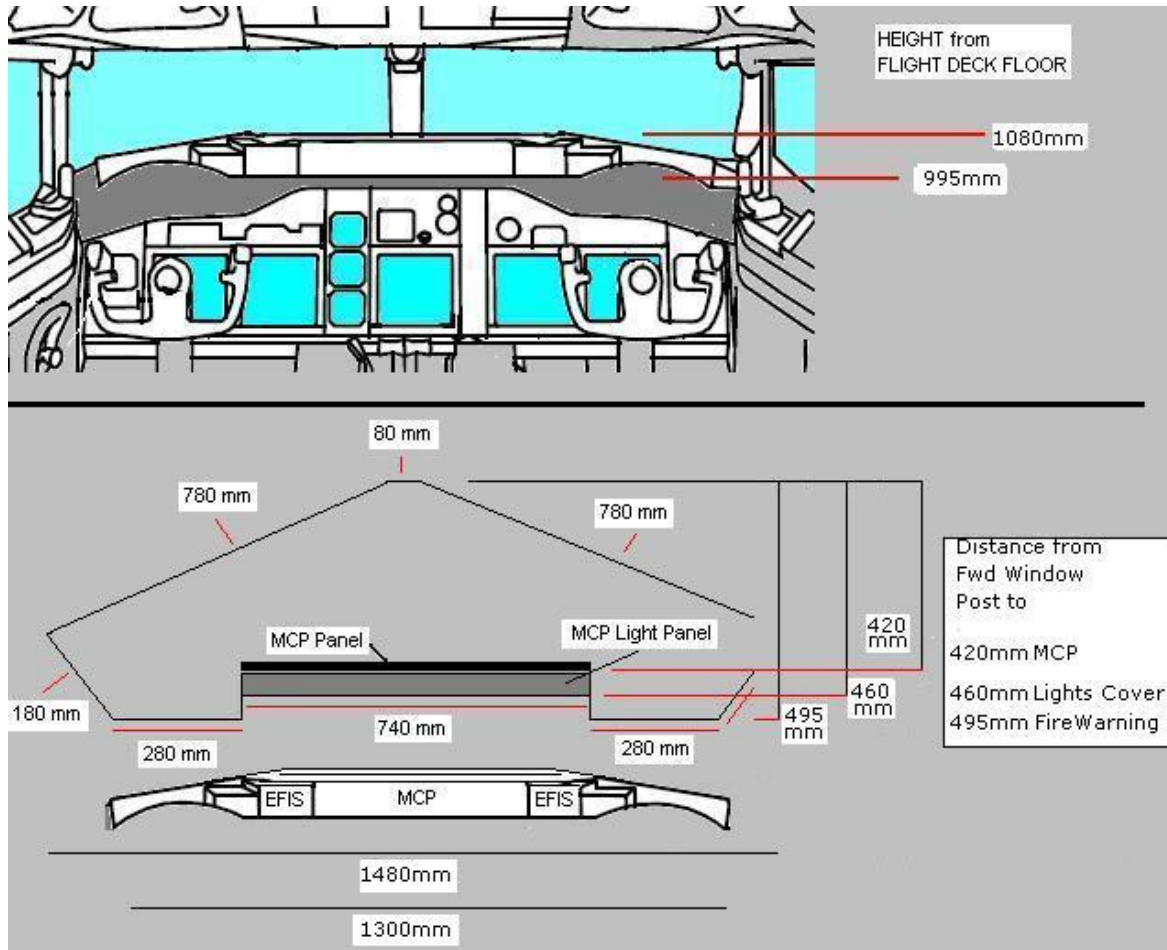




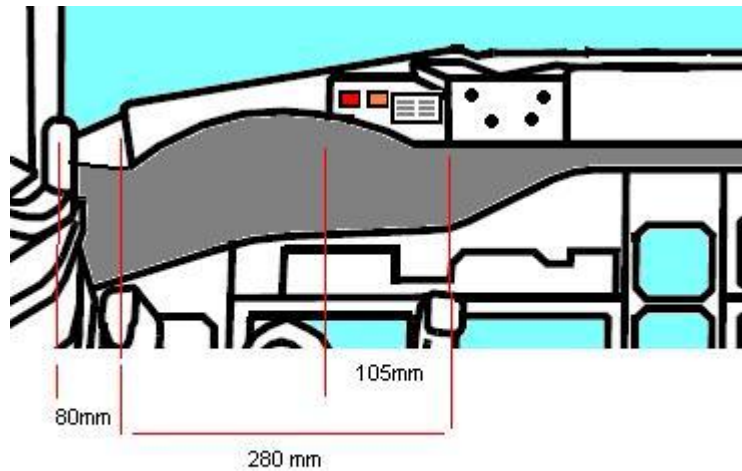


# GLARESHIELD PANEL

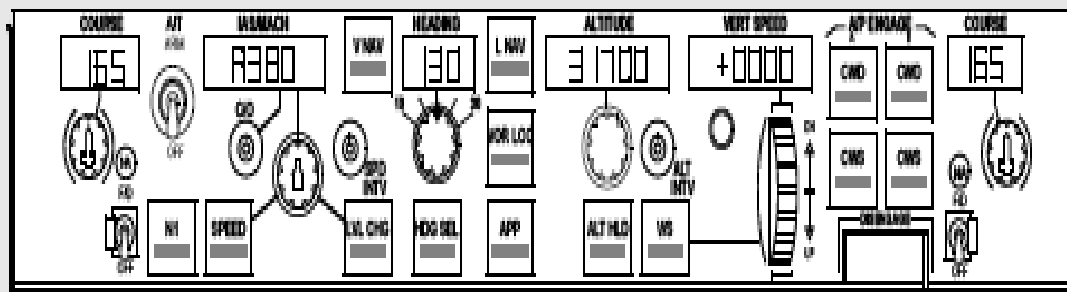




<b>GLARESHIELD DIMENSIONS</b>	
__ WARNING LIGHTS / SYSTEM CAUTION / EFIS PANEL / MODE CONTROL PANEL	
• approximate depth mm	• __495 / 460 / 420 mm
• approximate width mm	• __80 mm across the back of the unit ( near forward window post )
• approximate width mm	• 1480 mm across the middle of the unit ( between window post )
• approximate width mm	• 1300 mm across the front of the unit ( at the front of the glareshield )
• approximate height mm	• 85 mm __ ( 75mm for MCP panel + 10 mm for light panel )

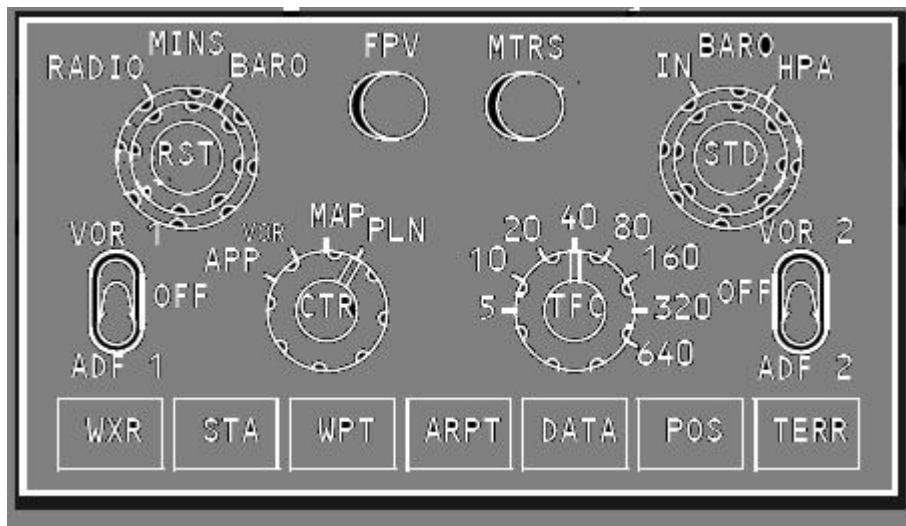


GLARESHIELD & WARNING / CAUTION SYSTEM

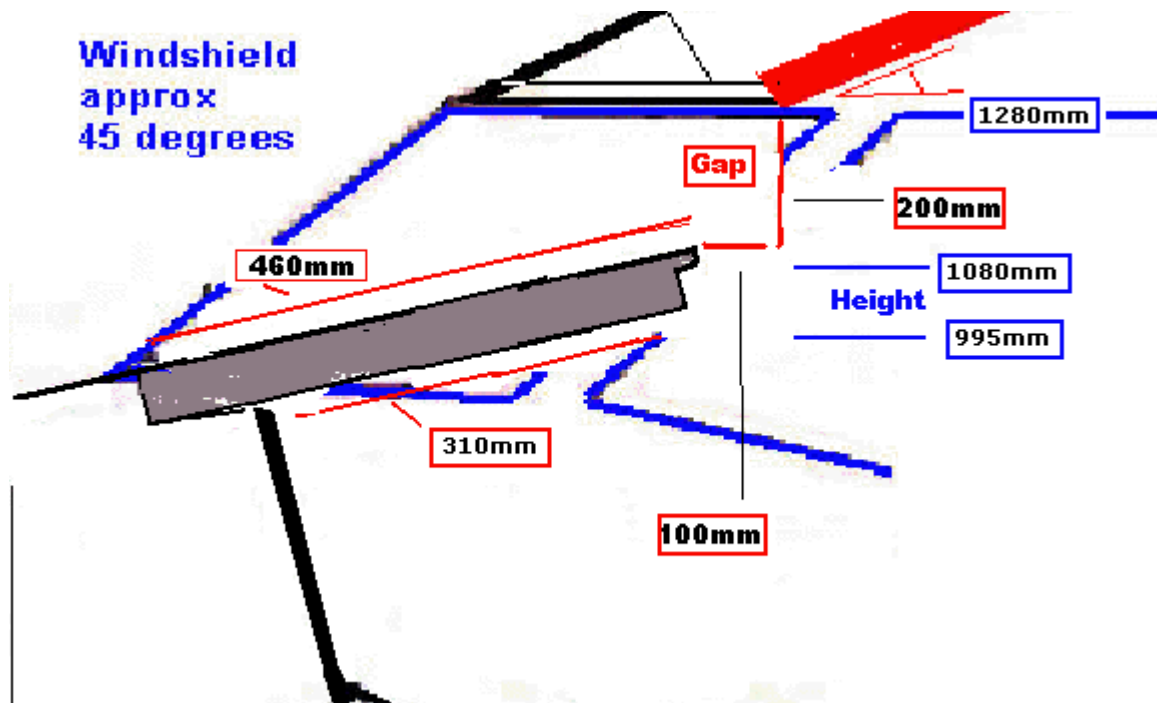


475 mm

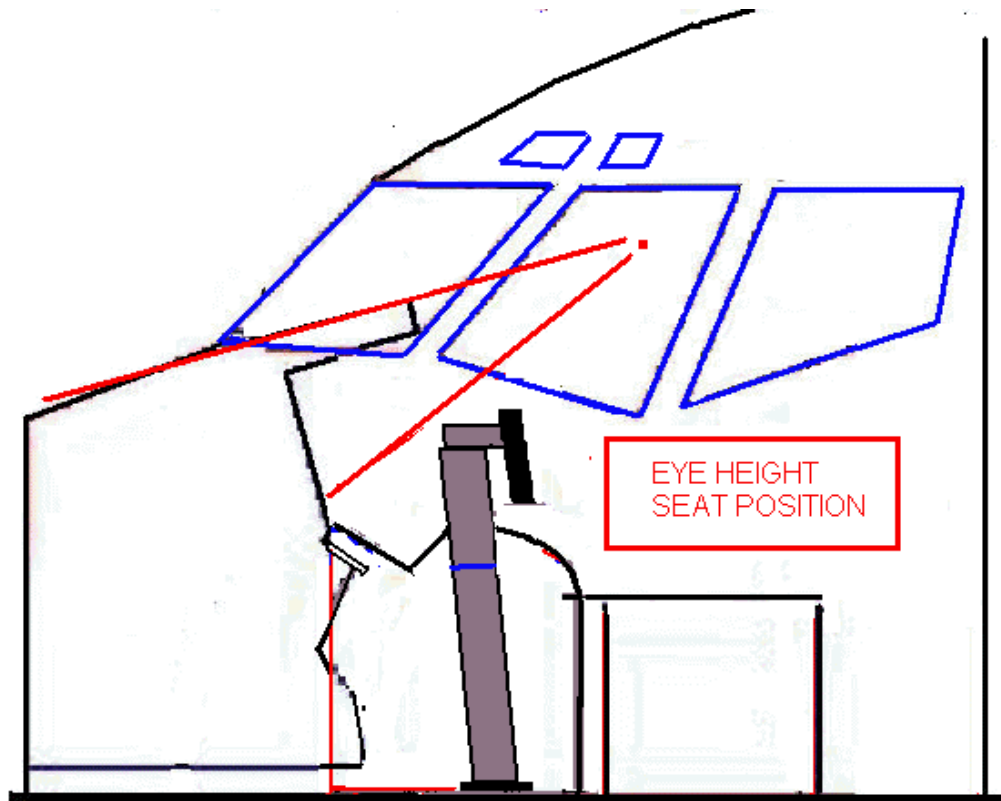
75



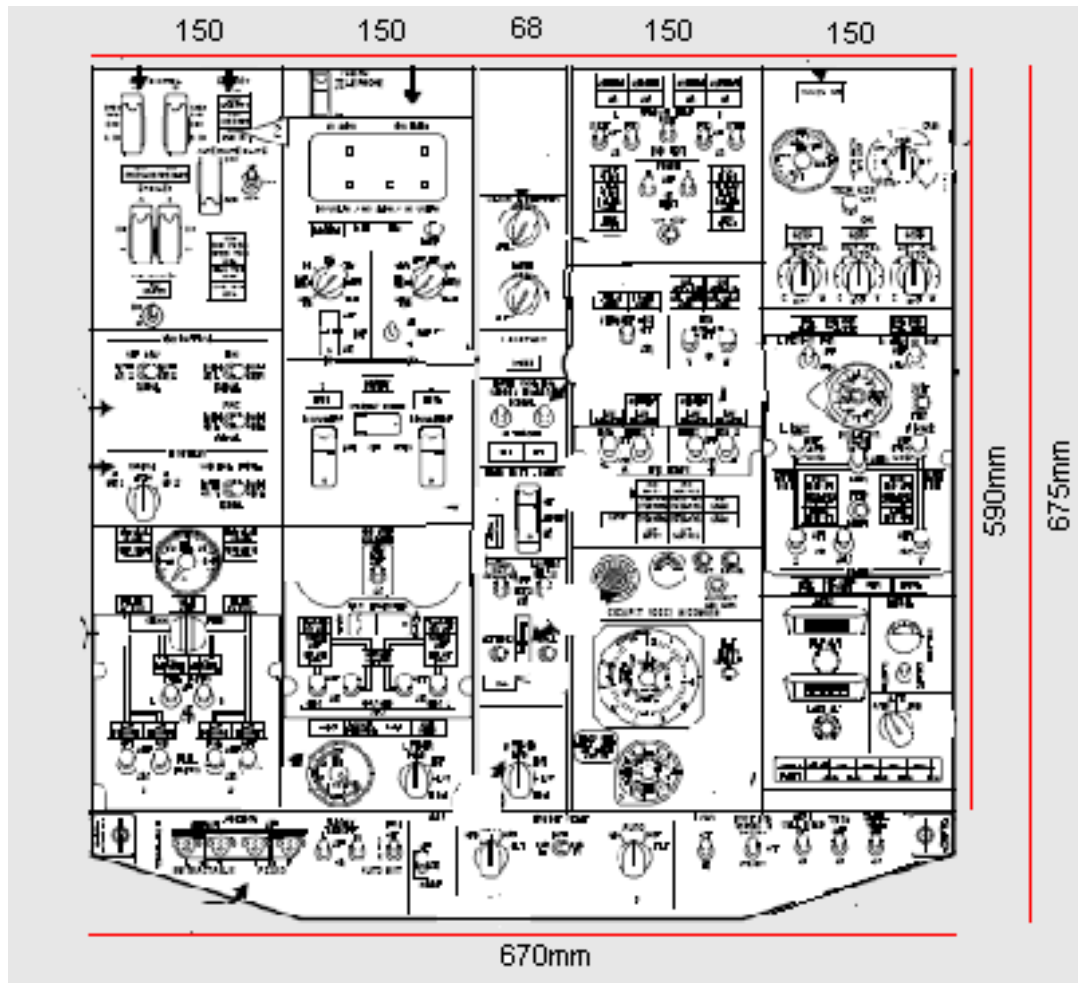
EFIS 115mm x 62mm



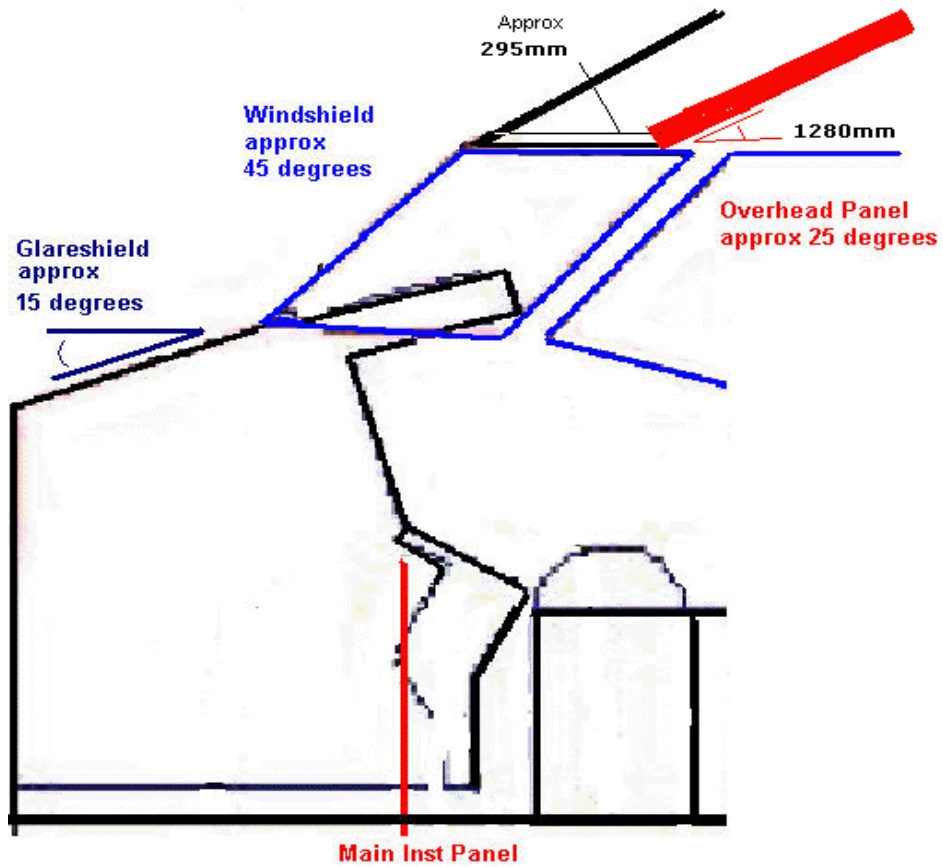
Glareshield = 310mm aft of Main Inst Panel



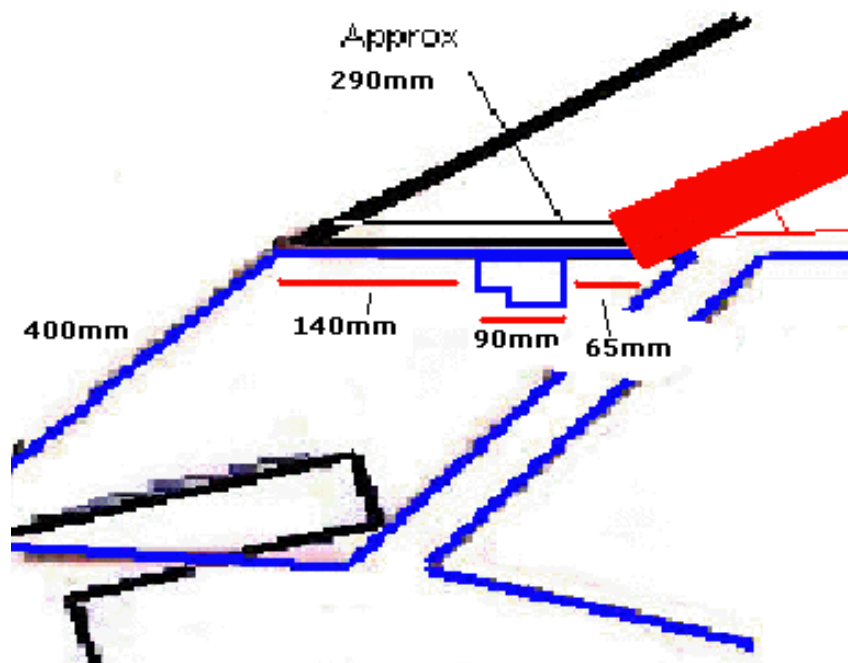
## FORWARD OVERHEAD PANEL



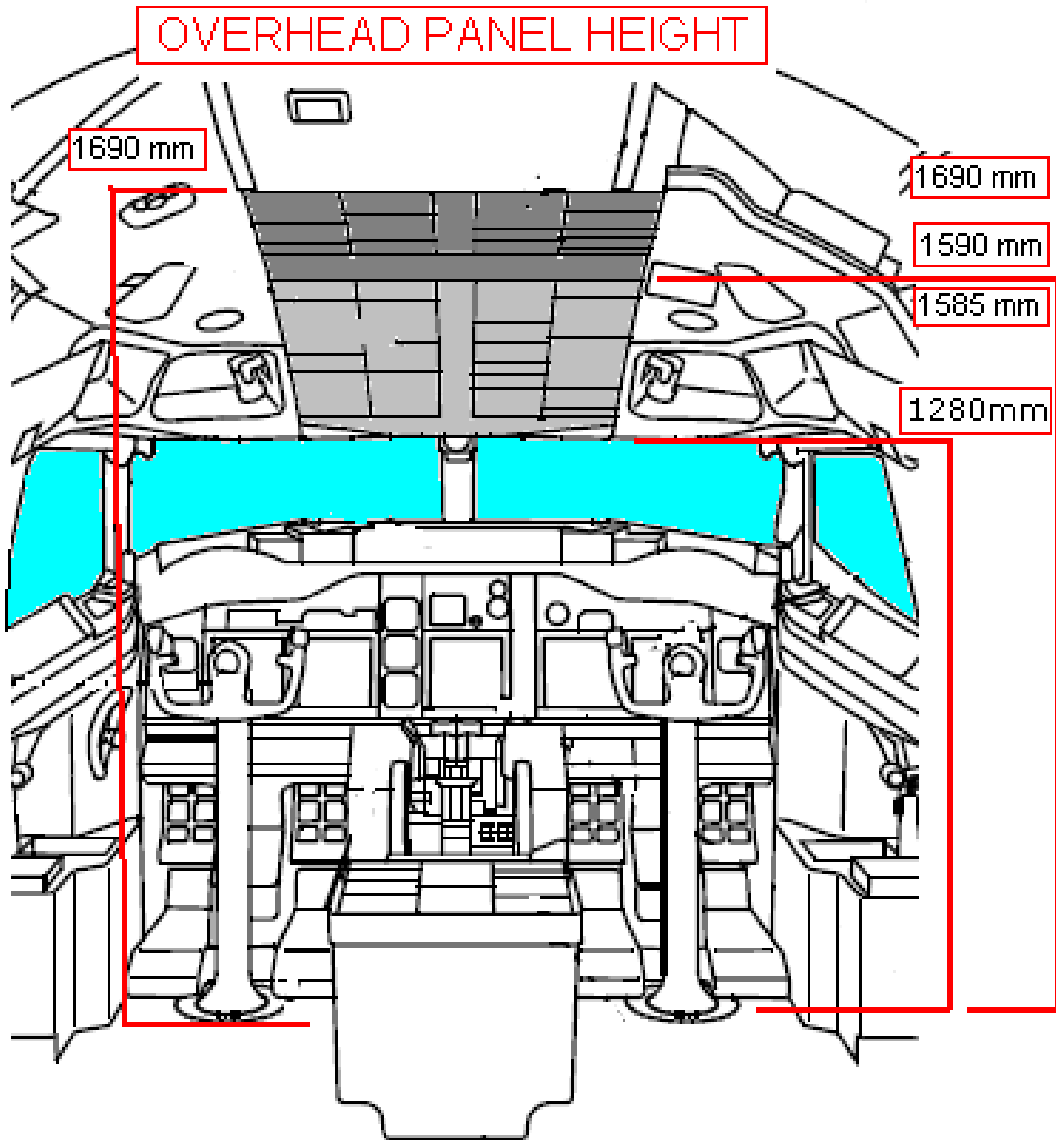
<b>FORWARD OVERHEAD</b>	
• approximate length mm •	675 mm
• approximate width mm •	670 mm
• approximate height mm •	1285 mm fwd edge from Flt Deck Floor
• approximate height mm •	1585 mm aft edge from Flt Deck Floor
• approximate slope ____ •	approx 25 degrees



FORWARD OVERHEAD @ 25 DEGREE SLOPE







## OVERHEAD HEIGHT

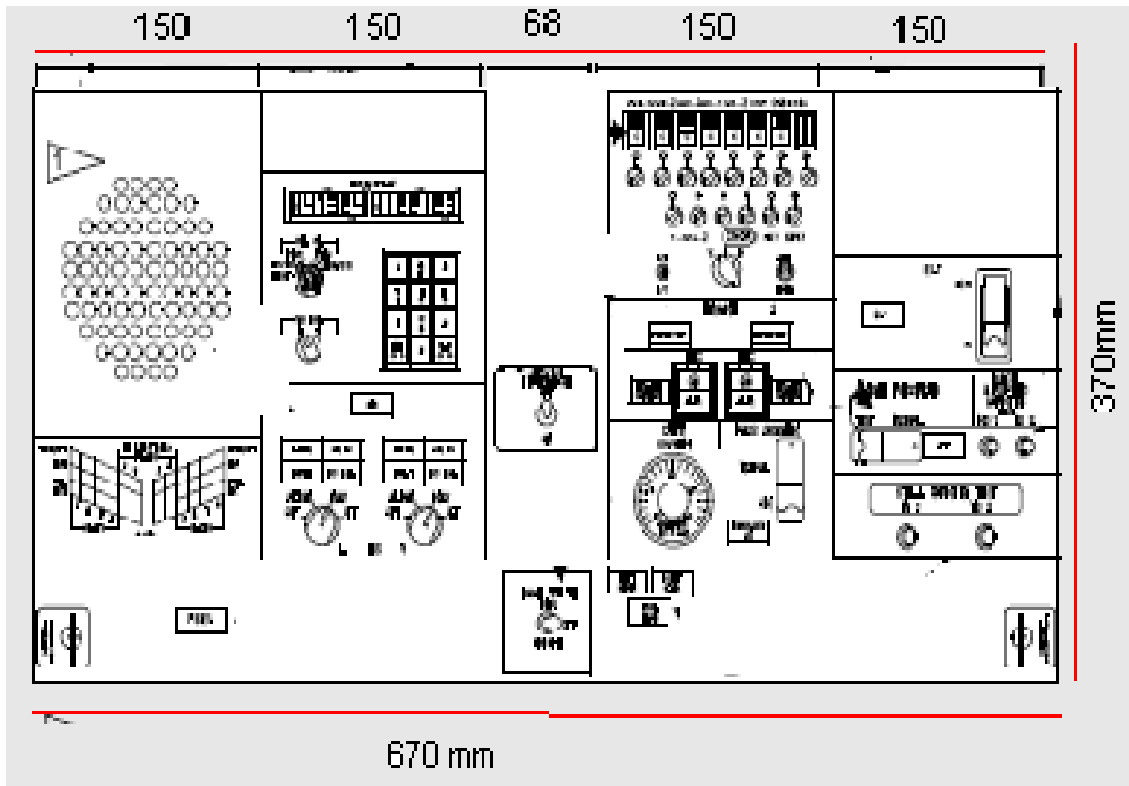
FWD HEIGHT = 1280mm

AFT HEIGHT = 1585 mm

<ul style="list-style-type: none"> <li>Approximate Panel Position</li> </ul>	
<ul style="list-style-type: none"> <li>lower forward edge of panel is</li> </ul>	<ul style="list-style-type: none"> <li>100mm aft of the MCP panel.</li> </ul>
<ul style="list-style-type: none"> <li>lower forward edge of the panel is</li> </ul>	<ul style="list-style-type: none"> <li>if you draw a line along the light switches, the line intersects the top rear corner of the number one window</li> </ul>

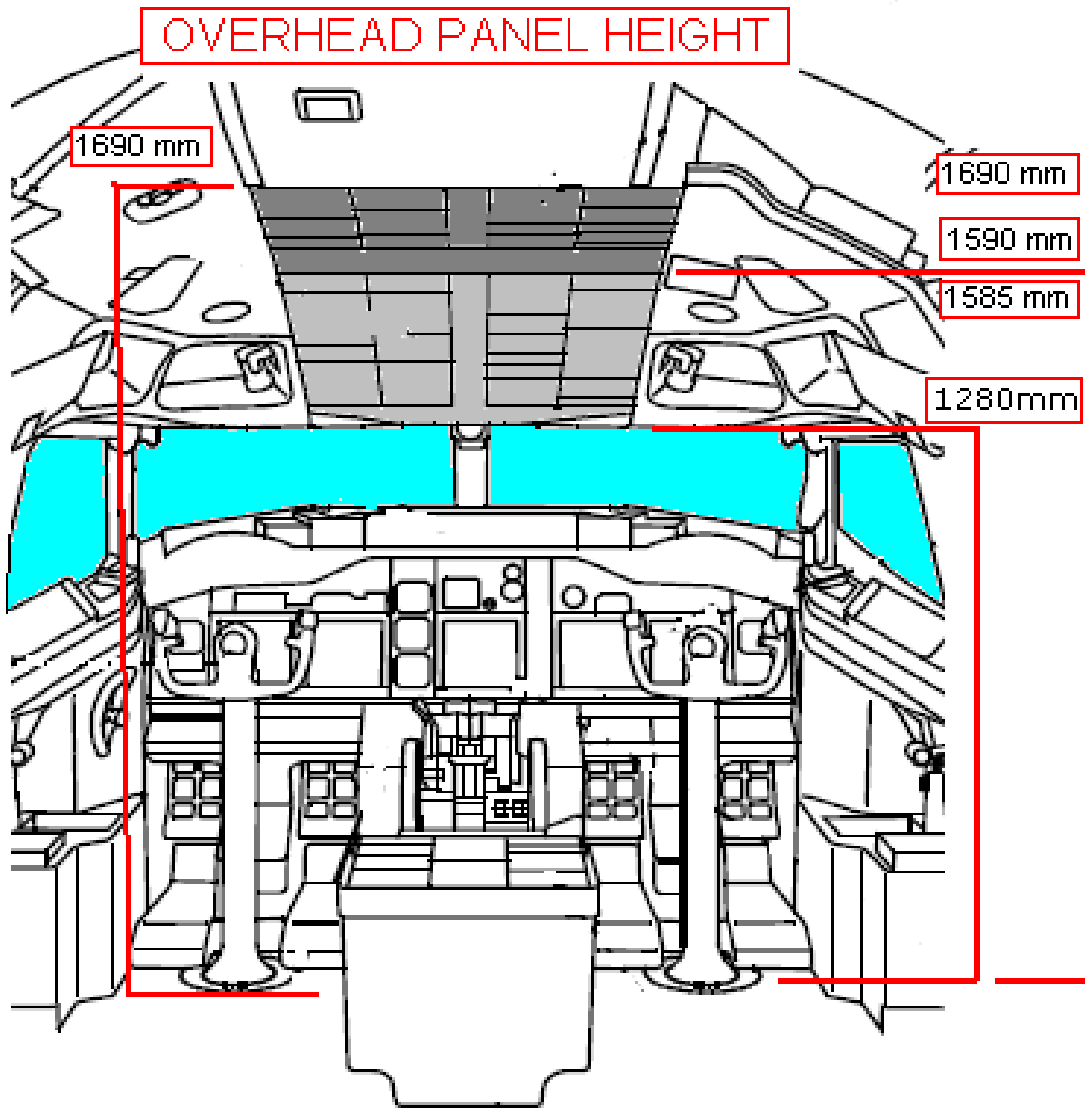


# AFT OVERHEAD PANEL

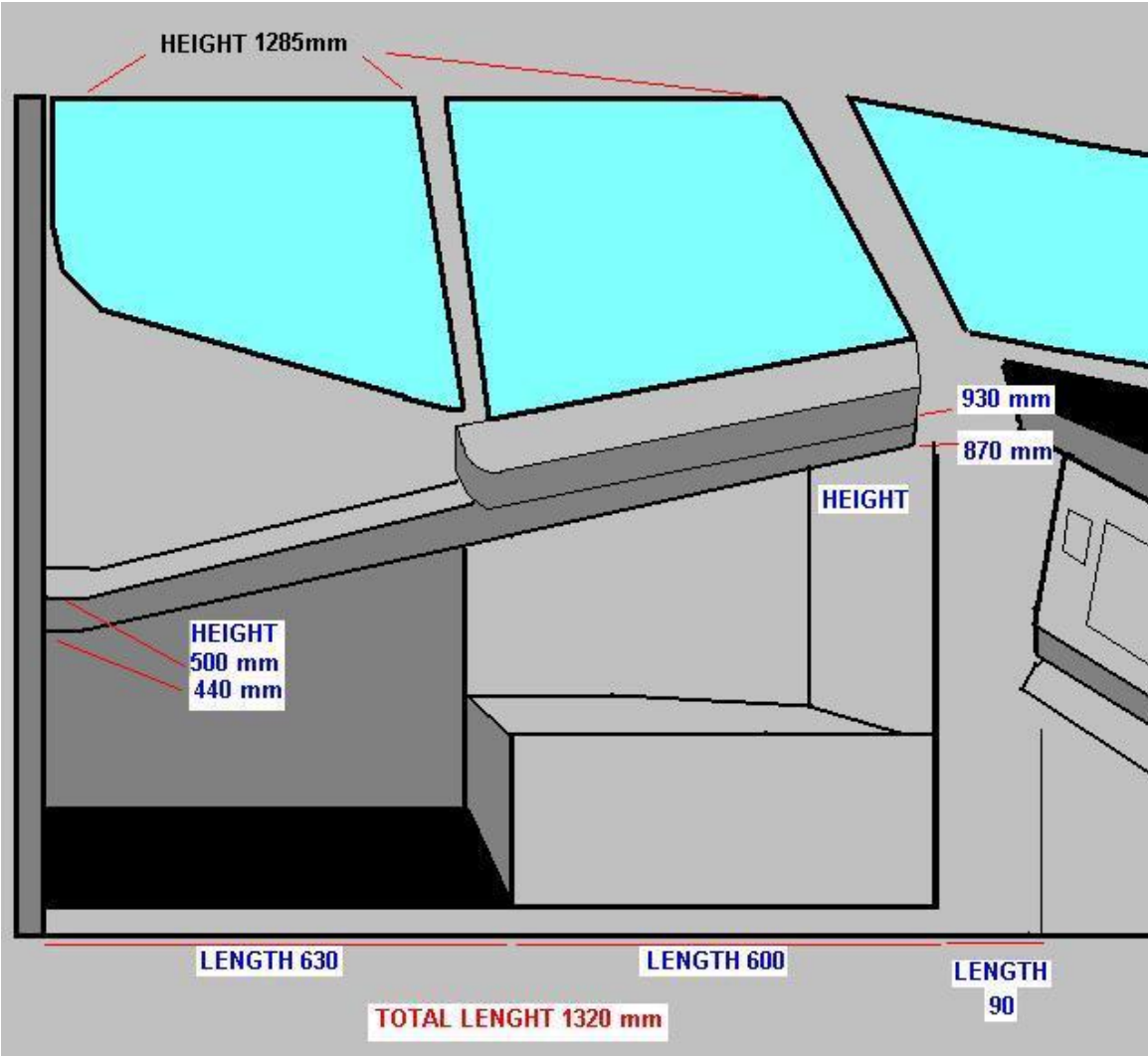


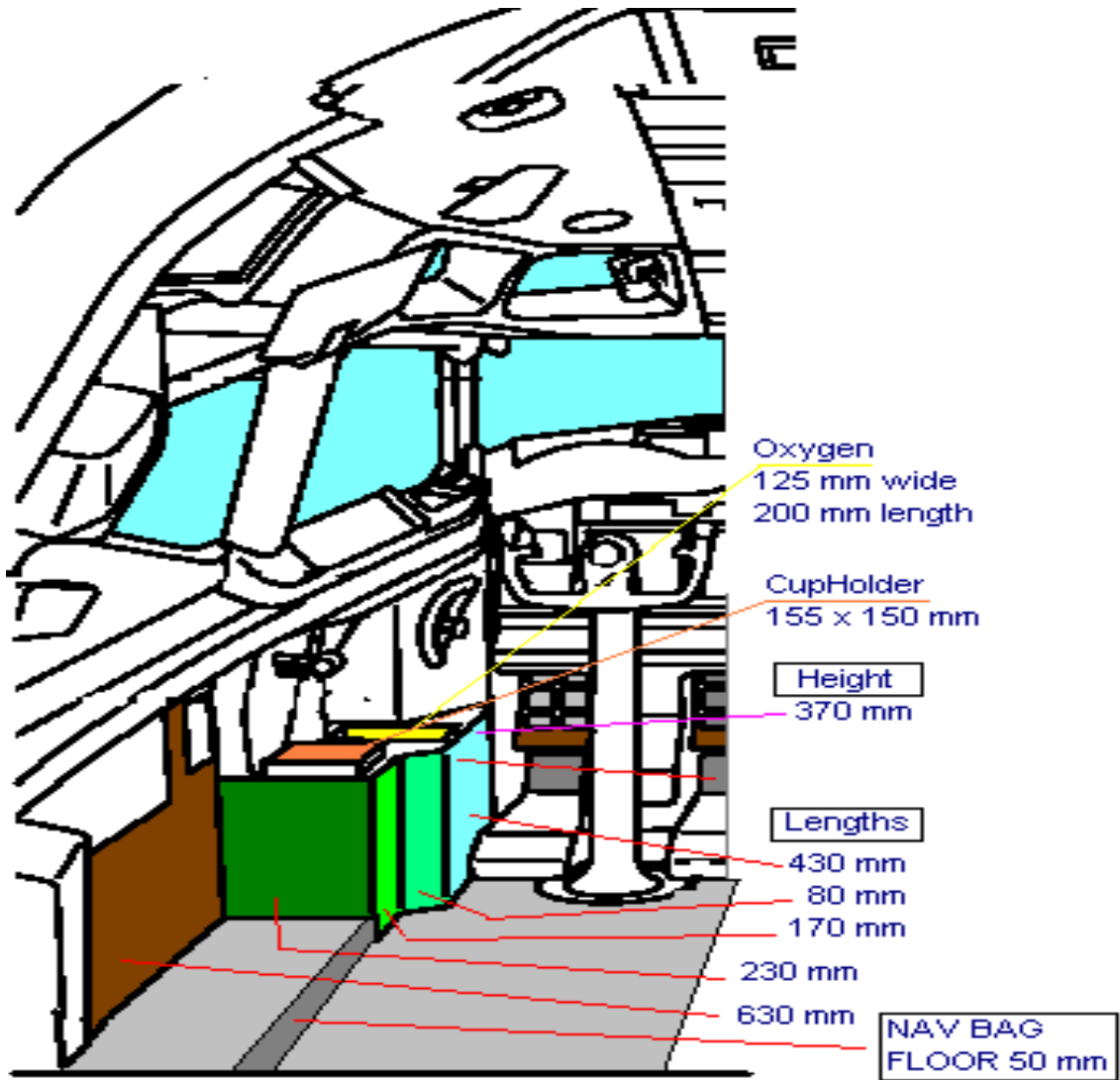
### AFT OVERHEAD

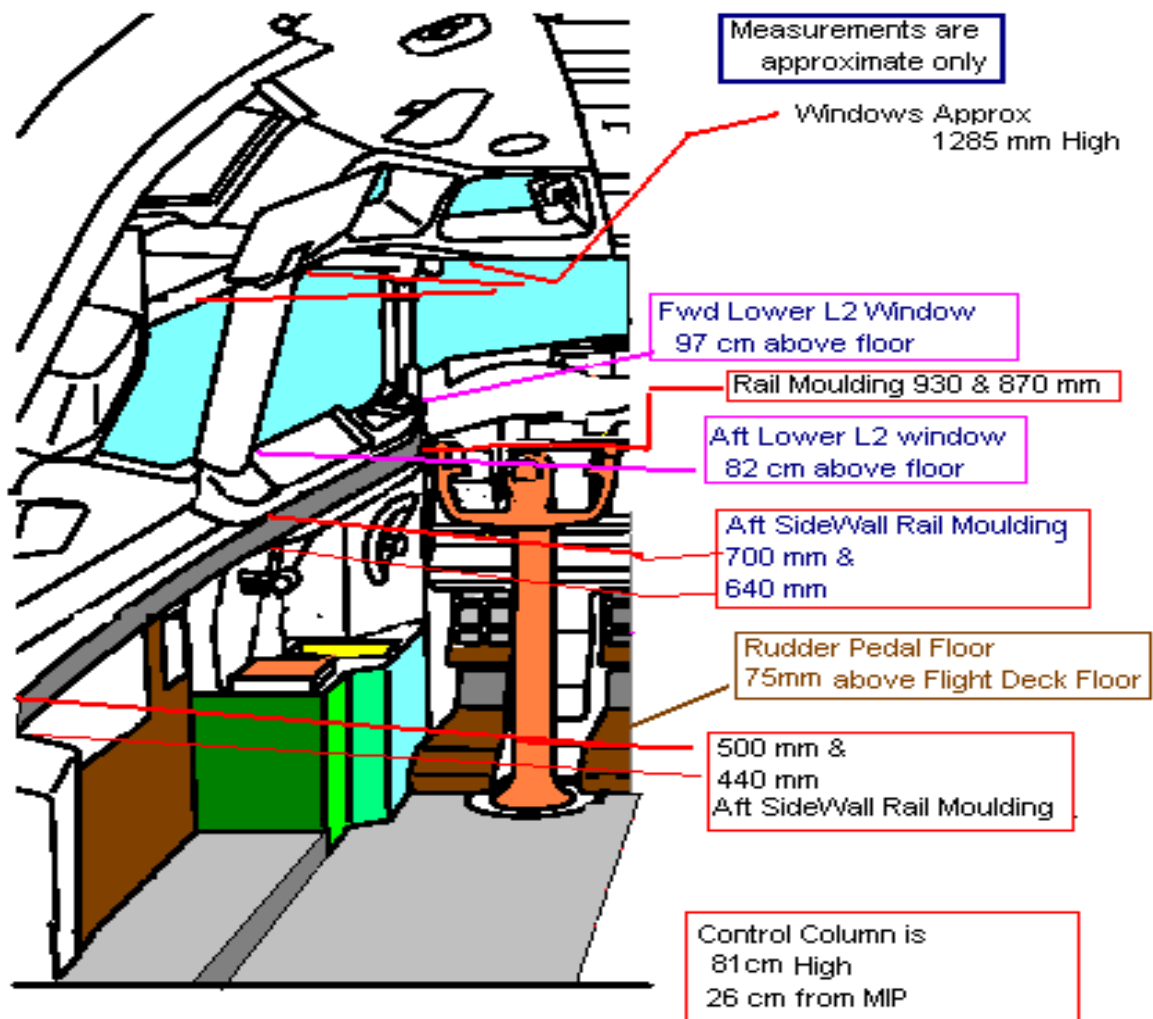
• approximate length mm	• 370 mm
• approximate width mm	• 670 mm
• approximate height mm	• 1590 mm fwd edge from Flt Deck Floor
• approximate height mm	• 1690 mm aft edge from Flt Deck Floor
• approximate slope ____	• approx 17 1/2 degrees
• approximate position ____	• top / aft edge of panel is level with aft bulkhead wall.



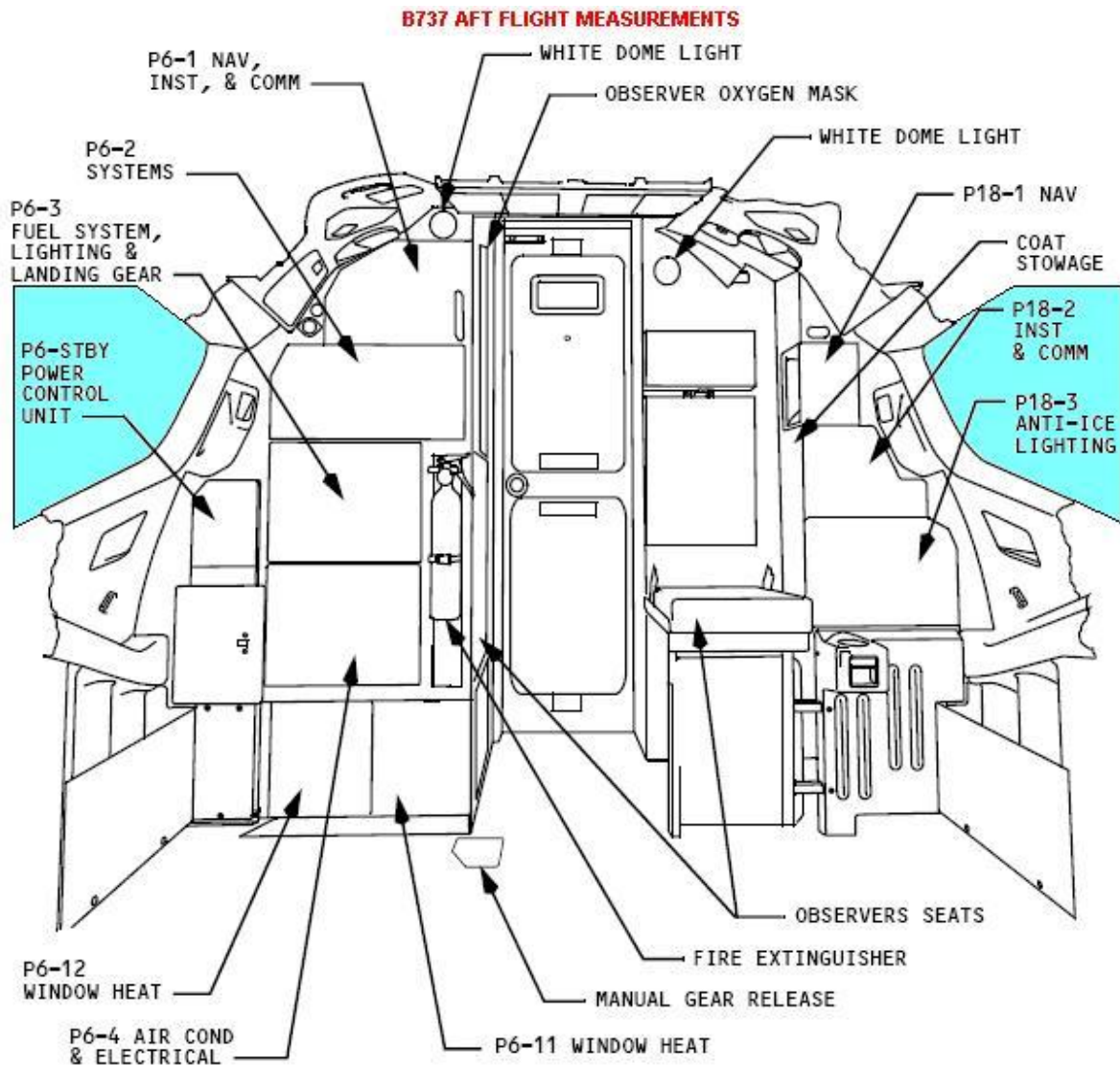
# SIDEWALL PANELS







# CIRCUIT BREAKERS

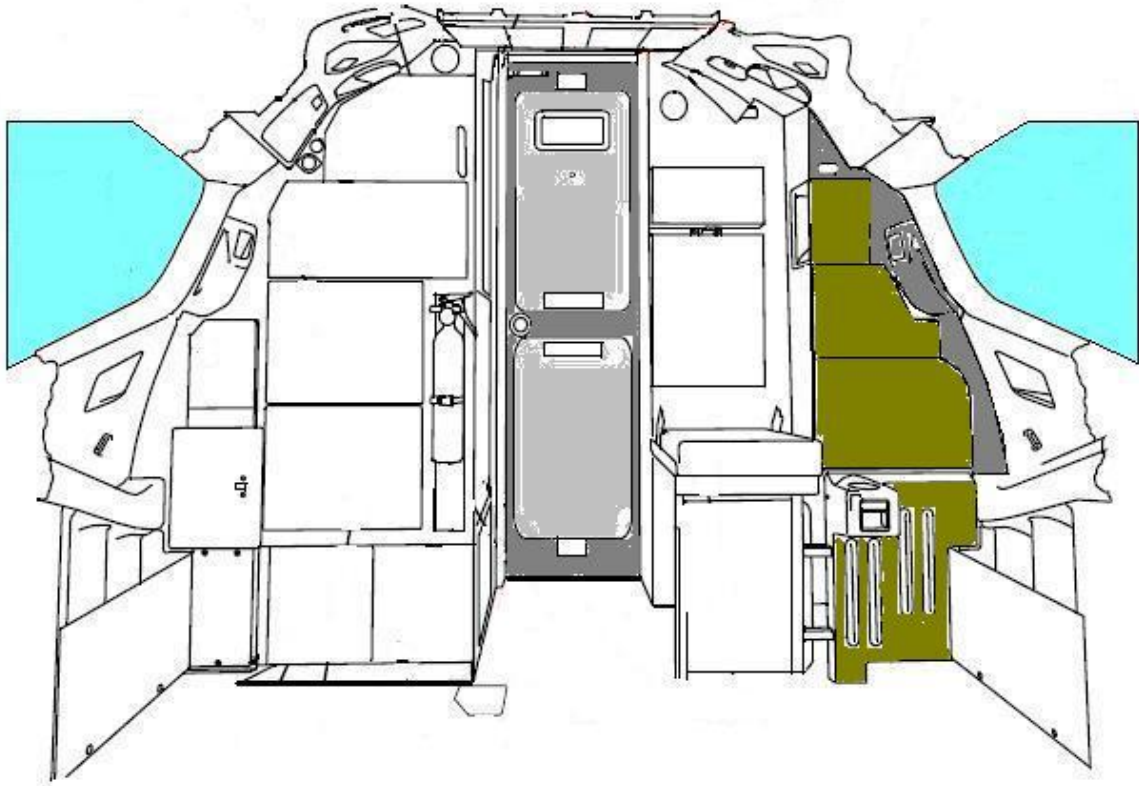


AFT FLIGHT DECK OVERVIEW



**B737 AFT FLIGHT MEASUREMENTS**

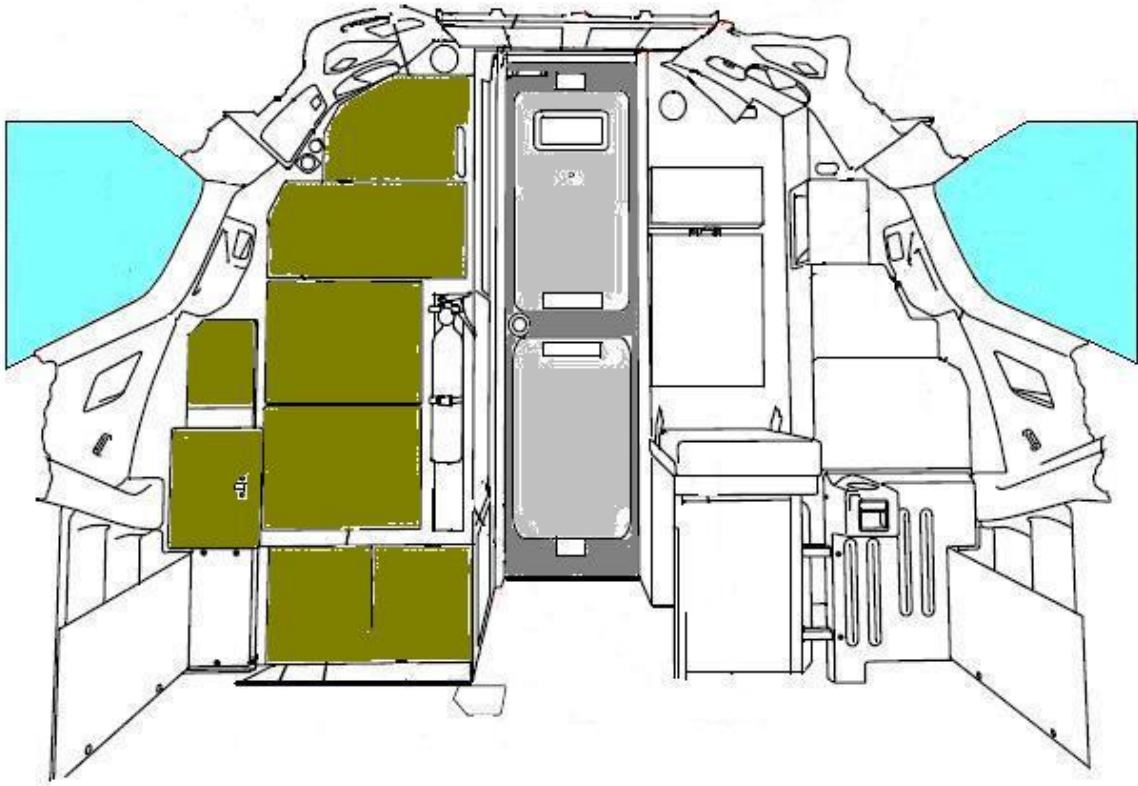
**P18 PANEL**



**AFT FLIGHT DECK OVERVIEW**

**B737 AFT FLIGHT MEASUREMENTS**

**P6 PANELS**



**AFT FLIGHT DECK OVERVIEW**

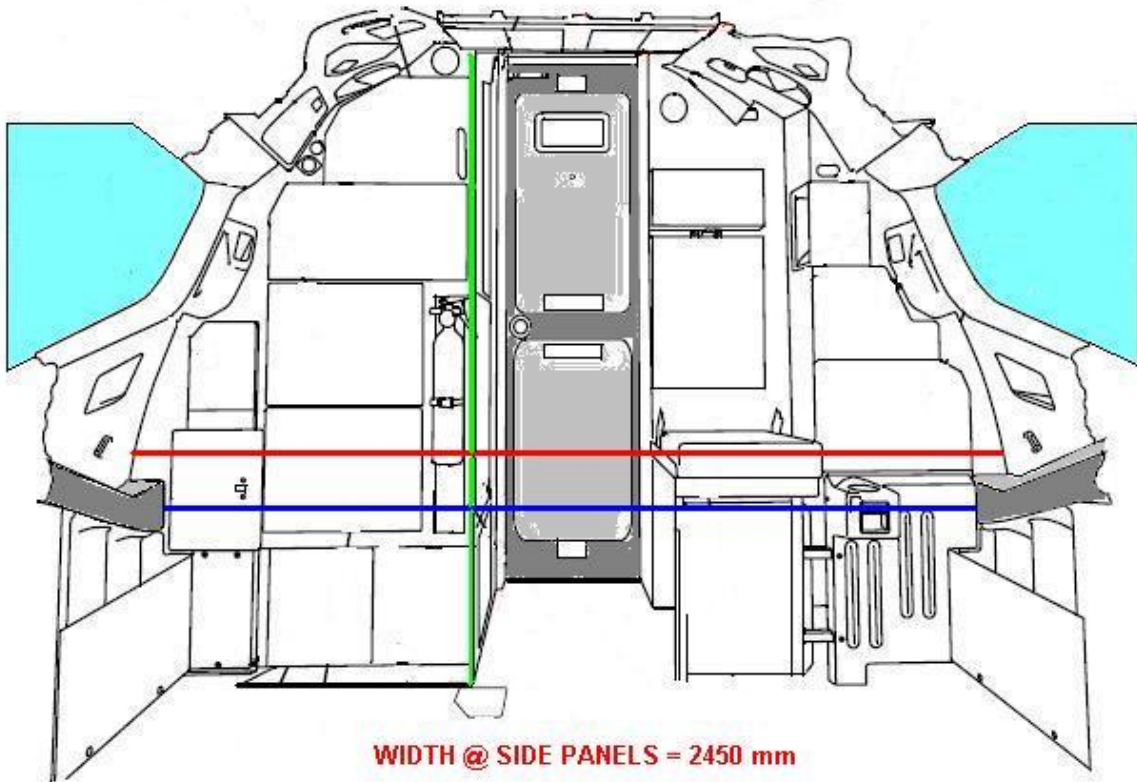
## REAR BULKHEAD

approximate width mm • 2400 mm ( Circuit Breaker Panels )  
approximate width mm • 2450 mm ( Sidewall of Fuselage )

approximate height mm • 1690 mm ( Top of Overhead Panel )  
approximate height mm • 1890 mm ( Top of Flt Deck Door )

### B737 AFT FLIGHT MEASUREMENTS

HEIGHT @ REAR BULKHEAD = 1690 mm

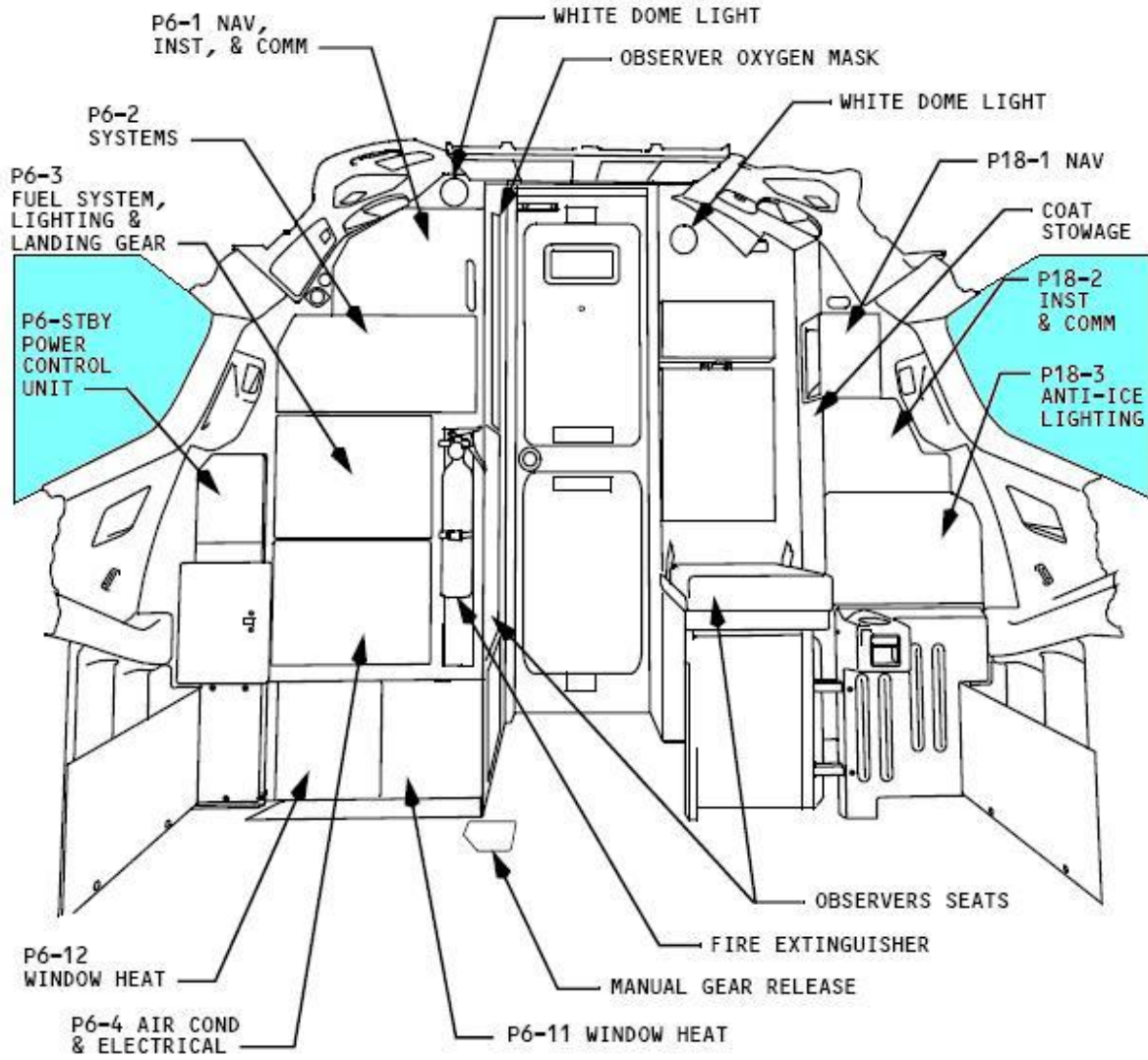


WIDTH @ SIDE PANELS = 2450 mm

WIDTH @ SIDE MOULDING = 2400 mm

AFT FLIGHT DECK OVERVIEW

**B737 AFT FLIGHT MEASUREMENTS**



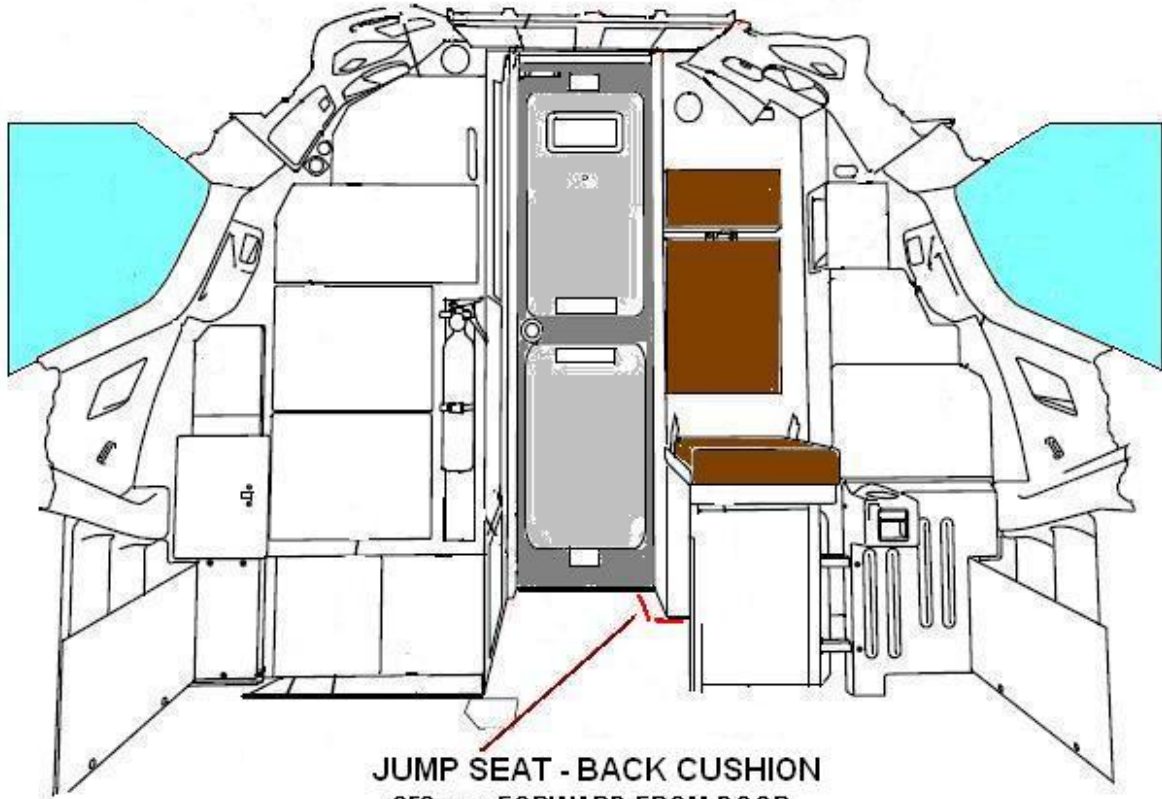
AFT FLIGHT DECK OVERVIEW

<b>FLIGHT DECK DOOR</b>	
• 560 mm	• width
• 1890 mm	• height
• 630 mm aft	• from read bulkhead

# THE JUMP SEAT

## B737 AFT FLIGHT MEASUREMENTS

JUMP SEAT 600 mm HEIGHT FROM FLOOR  
 410 mm WIDTH  
 420 mm LENGTH

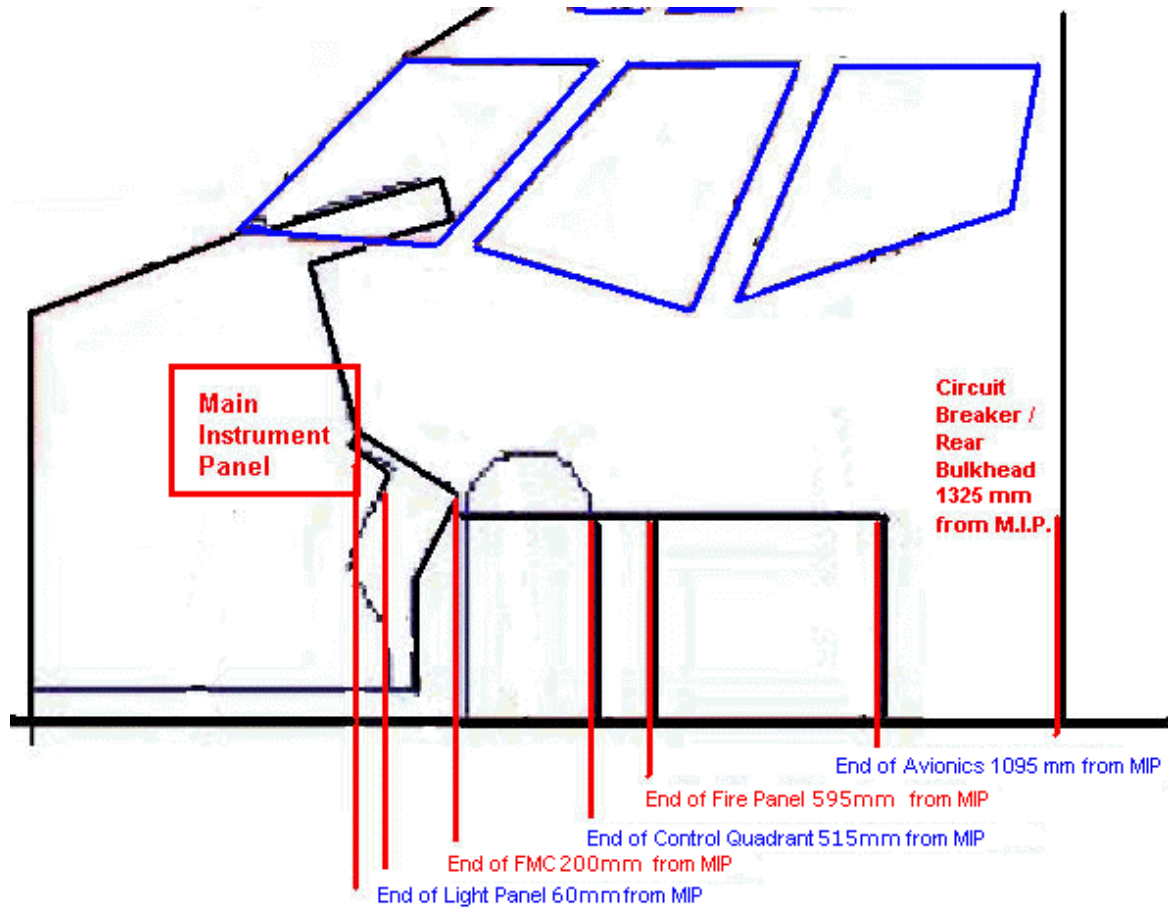


JUMP SEAT - BACK CUSHION  
 250 mm FORWARD FROM DOOR  
 380 mm AFT FROM REAR BULKHEAD

### AFT FLIGHT DECK OVERVIEW

THE JUMP SEAT	
60 mm	Height
410 mm	Wide
420 mm	Long
250 mm forward from door	- backrest
380 mm from aft bulhead	- backrest

## AFT BULKHEAD 1325mm from MAIN INST PANEL

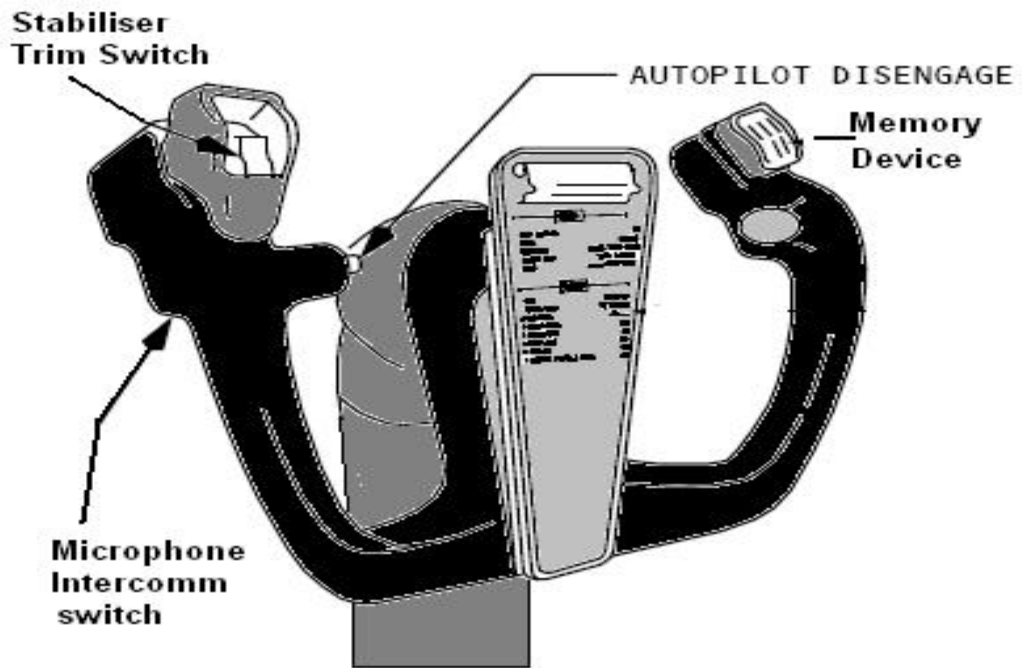


<b>AFT BULKHEAD POSITION</b>	
Position of Aft Bulkhead =	1320 mm from Main Instrument Panel (measured from lower edge of MIP)
Position of Aft Bulkhead =	0 mm mm from Aft Wall Bulkhead
Position of Flt Deck Door =	630 mm Aft of Aft Wall Bulkhead

## **FLIGHT CONTROLS**

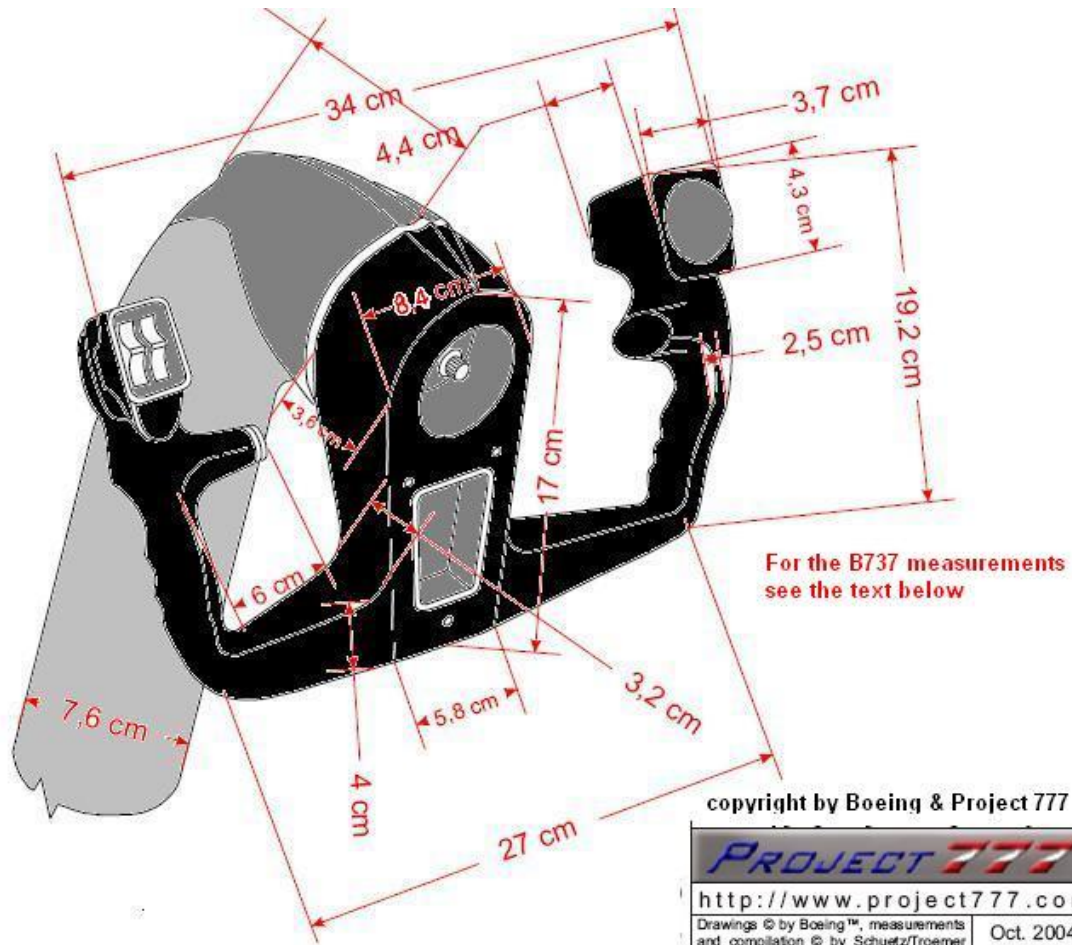
- **CONTROL YOKE**
- **CONTROL COLUMN**
- **RUDDER PEDALS**
- **SPEEDBRAKE LEVER**
  - **THRUST LEVER**
  - **FLAP LEVER**
  - **START LEVERS**
- **STABILISER TRIM WHEEL**

## **CONTROL YOKE**



CAPTAIN CONTROL WHEEL DETAIL



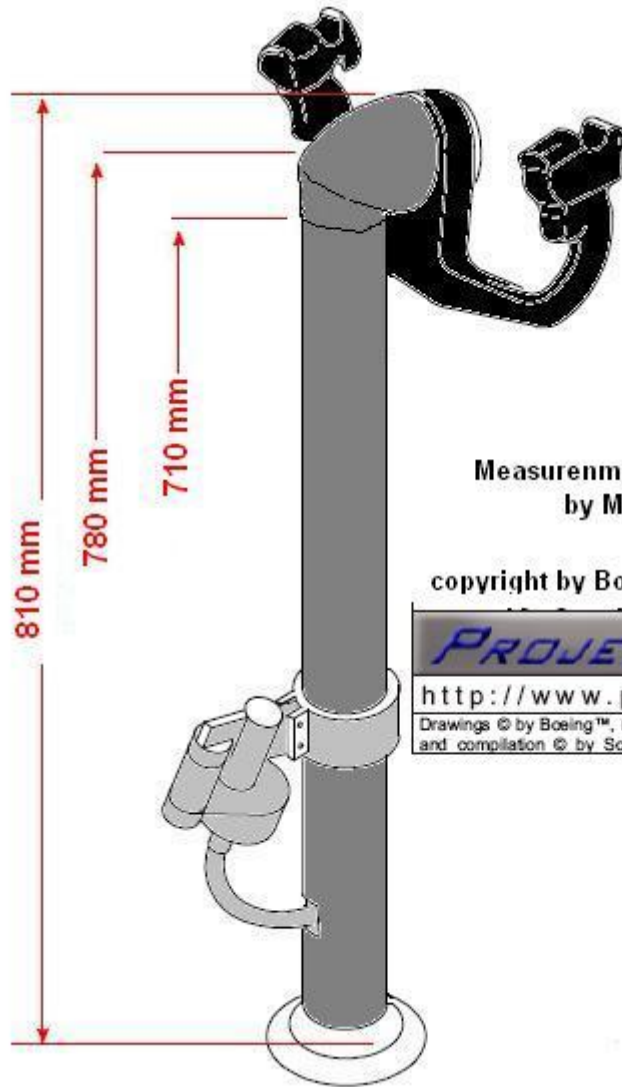


## GENERAL JET or BOEING STYLE CONTROL COLUMN

### **CONTROL YOKE DATA**

<b>DATA for BOEING 737 TYPE CONTROL YOKE</b>	
Width at Top of Yoke	345 mm
Width at Bottom of Yoke	260 mm
Height of Yoke	195 mm
Diameter of Yoke Handle or Thickness of Yoke	32 - 36 mm
Position of AutoPilot Disconnect	80 mm above lower yoke
Length of AutoPilot Disconnect Assemble	60 mm
Width of the ClipBoard at the Top	95 mm
Width of the ClipBoard at the Bottom	65 mm
Length of the ClipBoard	195 mm

## CONTROL COLUMN

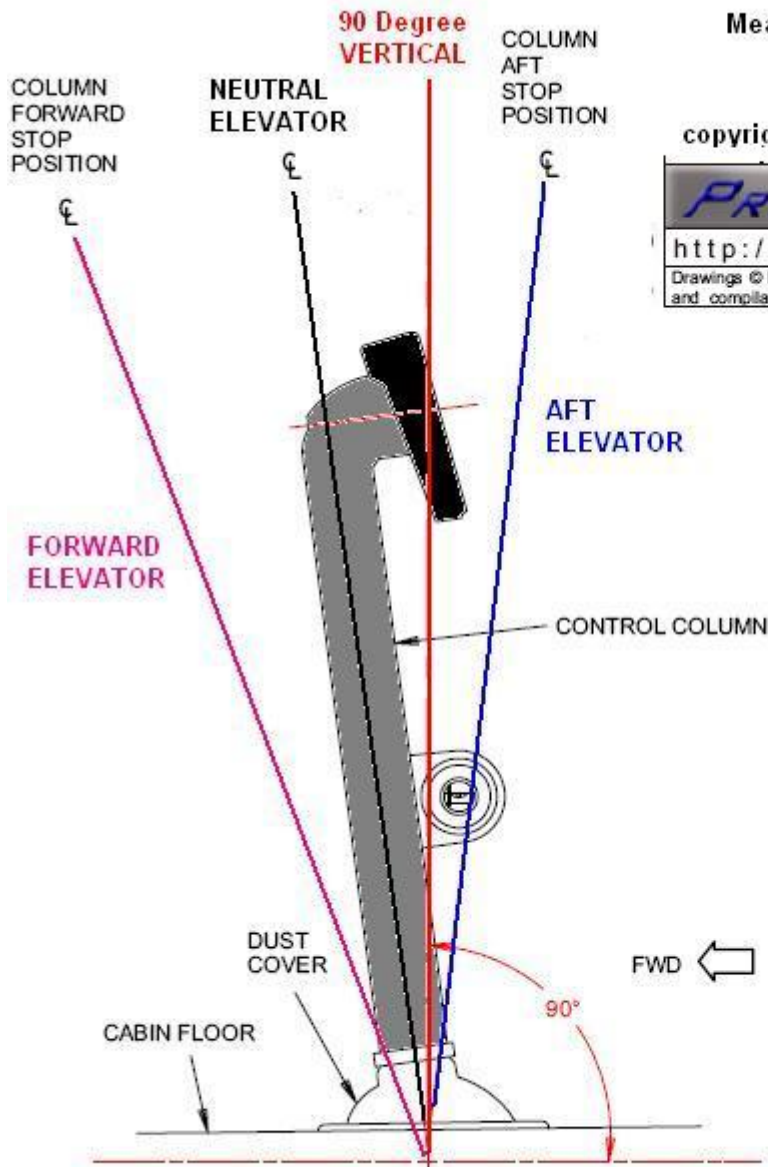


Measurements for the B737  
by Markuspilot

copyright by Boeing & Project 777

**PROJECT 777**  
<http://www.project777.com>  
Drawings © by Boeing™, measurements  
and compilation © by Schuetz/Troemer | Oct. 2004

CONTROL COLUMN



Measurements for the B737  
by Markuspilot

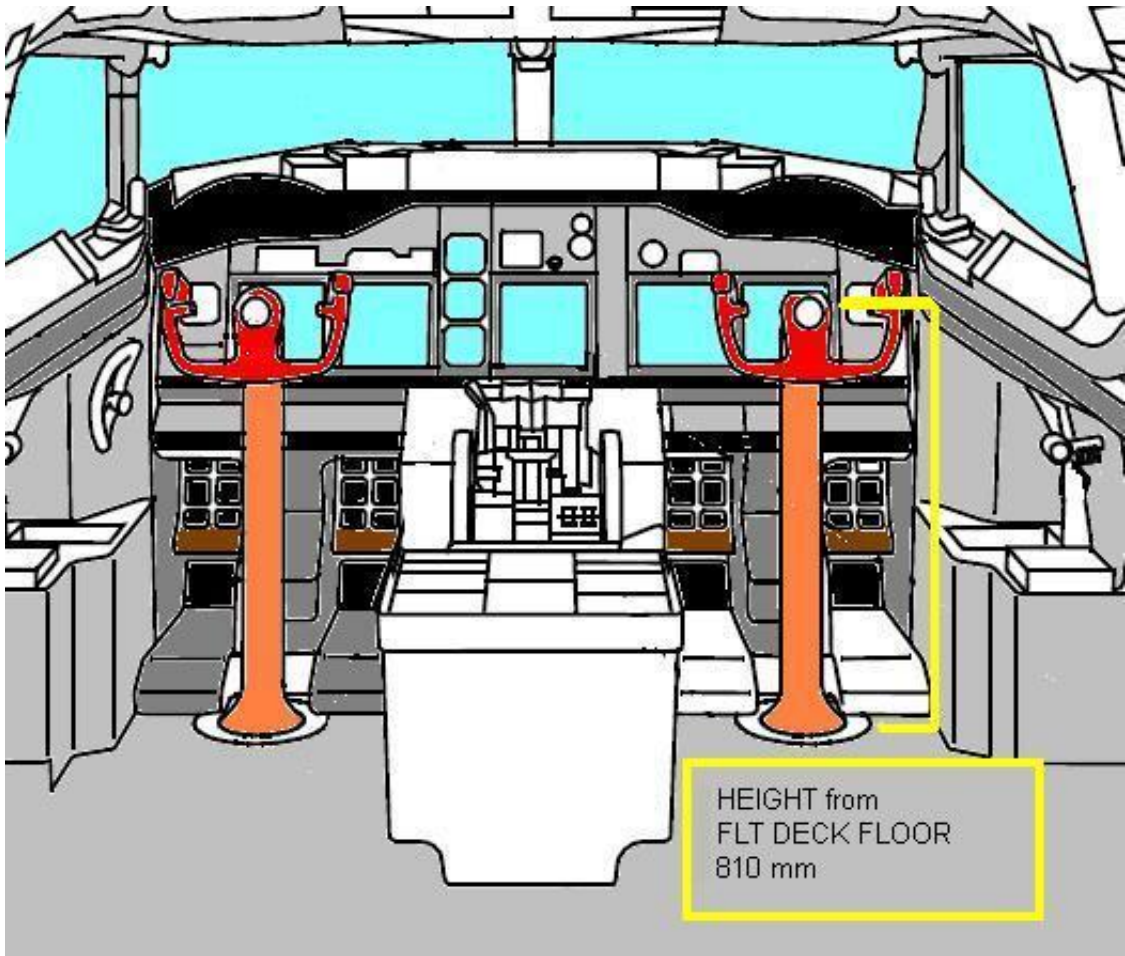
copyright by Boeing & Project 777

**PROJECT 777**

<http://www.project777.com>

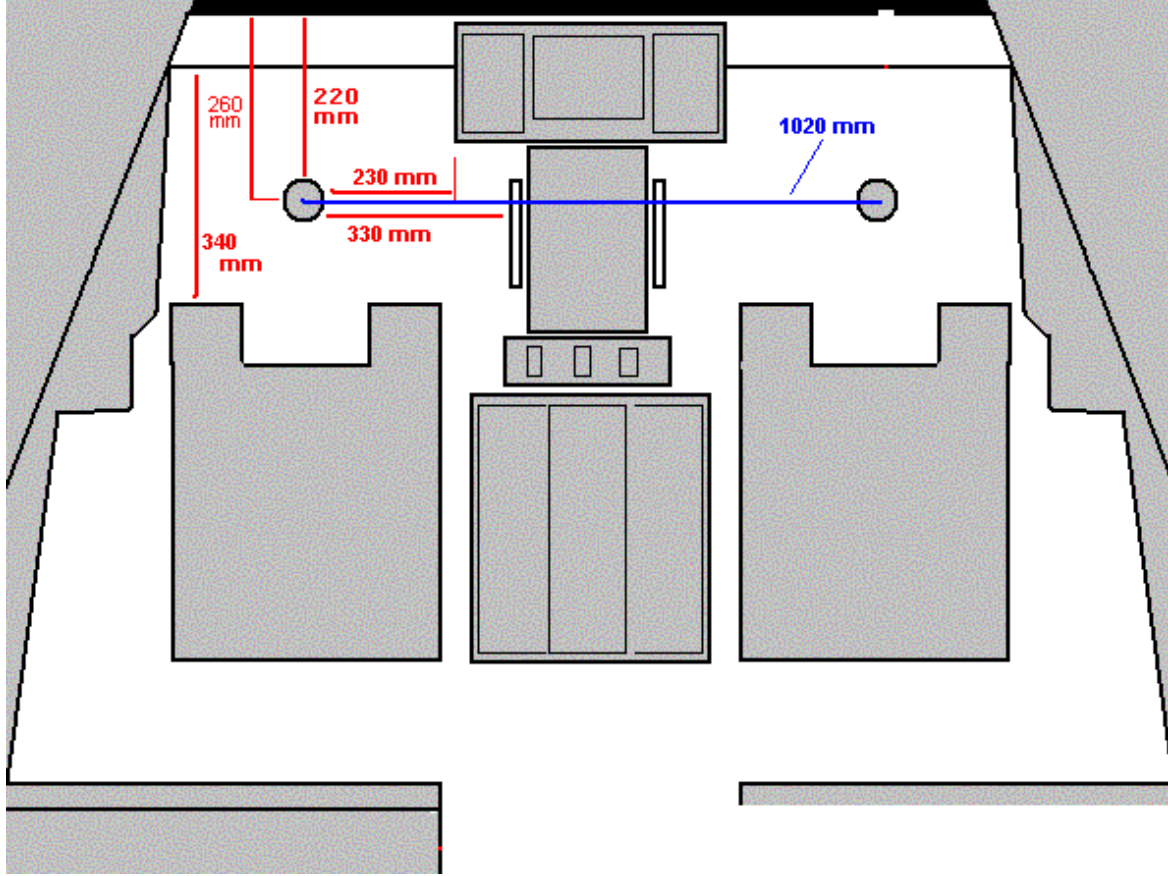
Drawings © by Boeing™, measurements  
and compilation © by Schuetz/Troemer

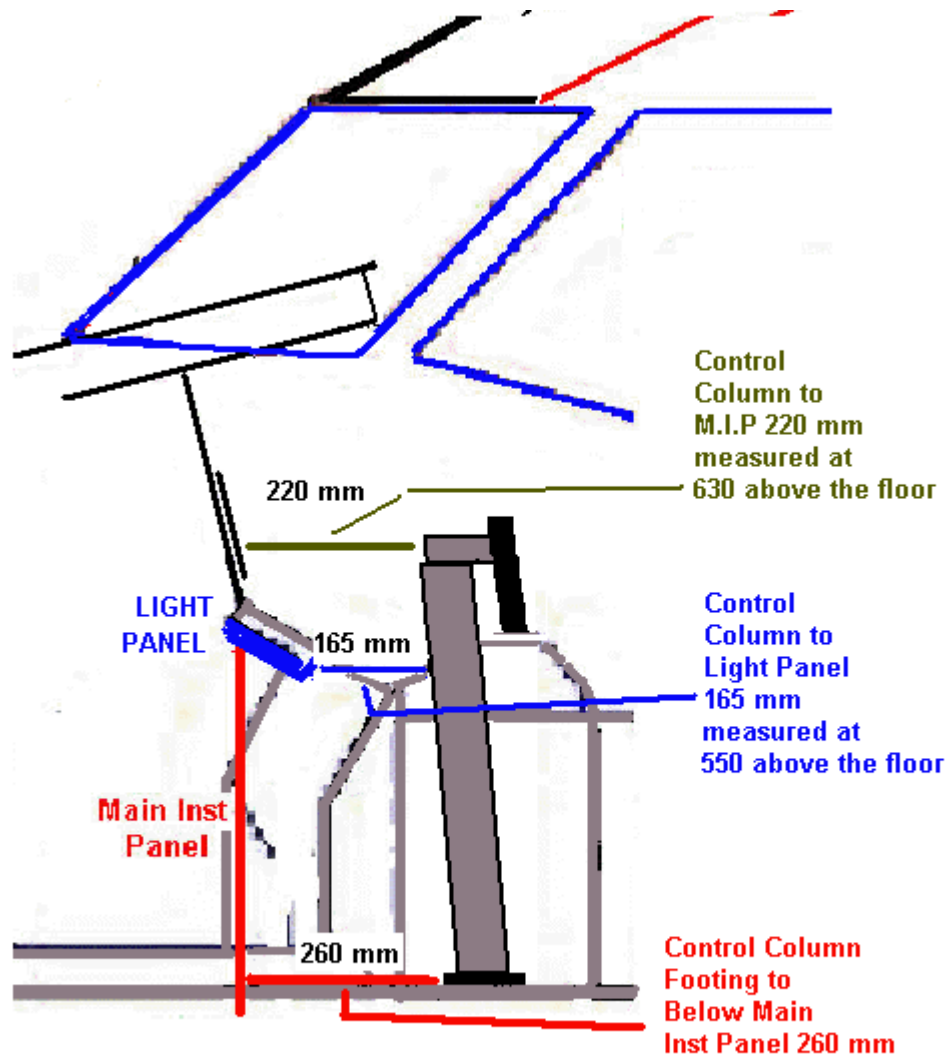
Oct. 2004



HEIGHT from  
FLT DECK FLOOR  
810 mm

**CONTROL COLUMN & SEAT POSITION**





CONTROL COLUMN POSITION

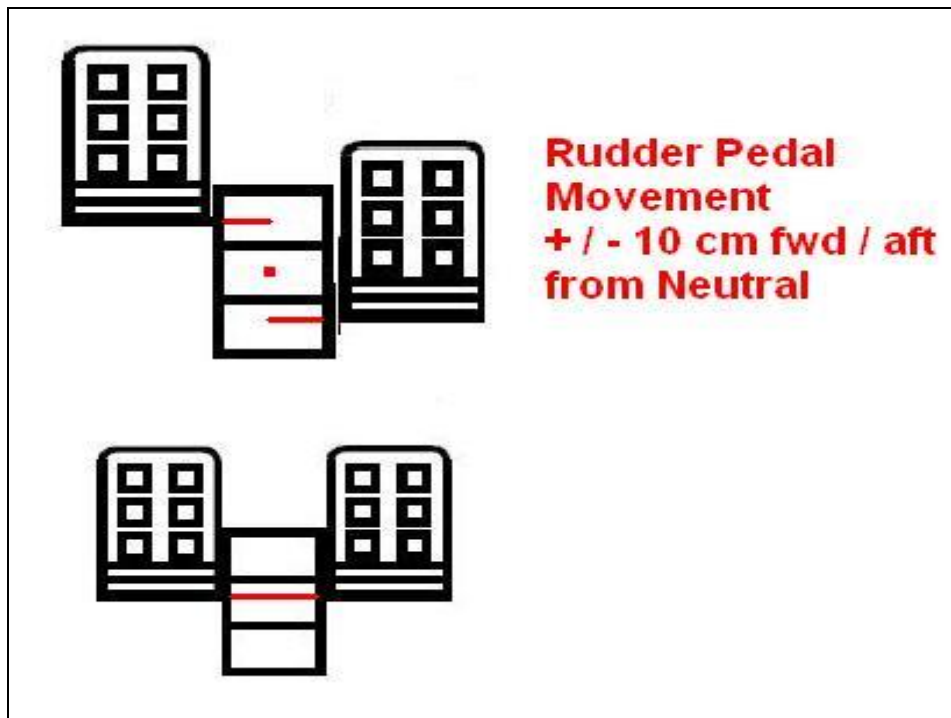
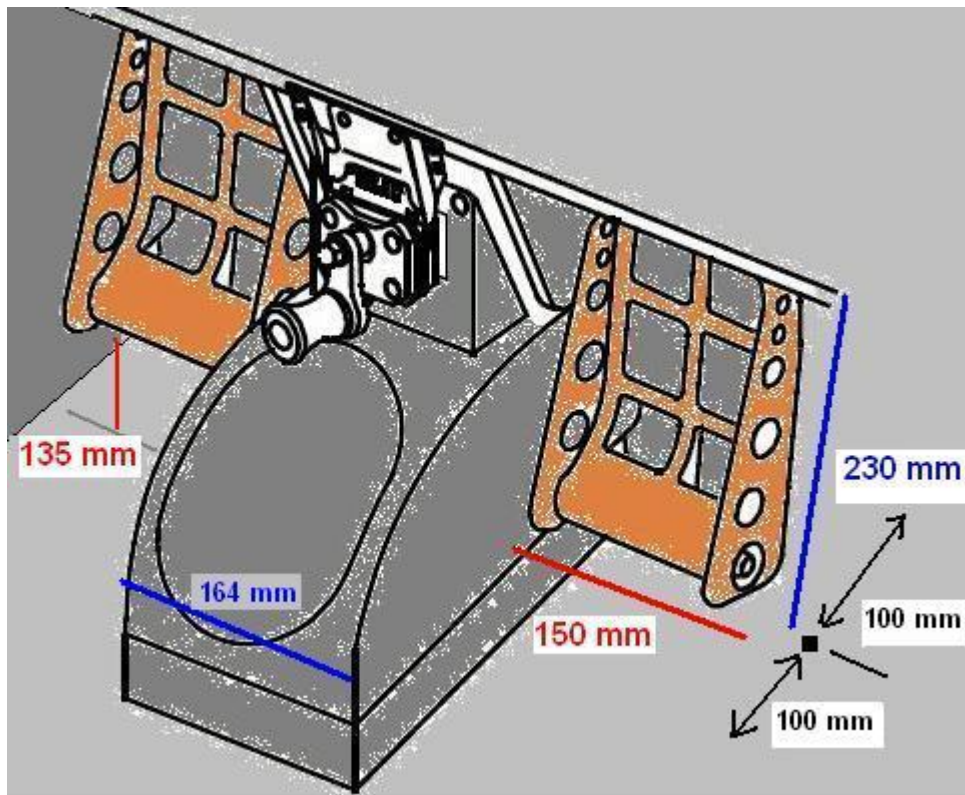
## **POSITION of CONTROL COLUMN**

Distance from Light Panel	165 mm measured at 500 mm height from flight deck floor
Distance from Main Inst Panel ___ @ PFD ND lower edge	220 mm measured at 630 mm height from flight deck floor
Distance from Main Inst Panel	260 mm measured below MIP along floor to base of column
Distance from FMC Panel	230 mm from side of FMC panel
Distance from Stab Trim Wheel	330 mm from side of Stabiliser Trim Wheel

## **CONTROL COLUMN DATA**

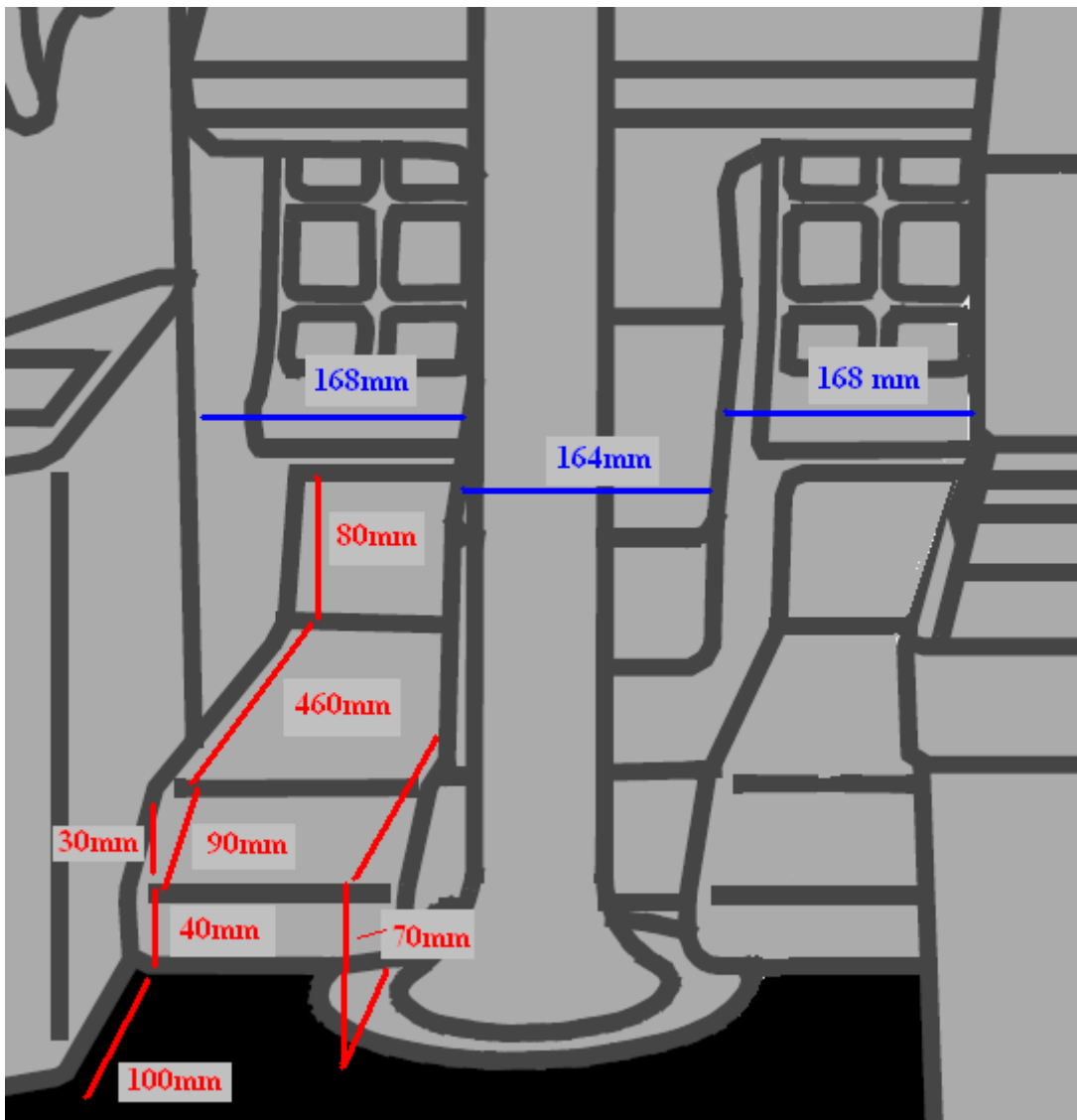
Height of Control Column	790 mm measured at back of Control Column
Height of Control Column	810 mm measured at top of Control Column / Yoke Axis
Diameter of Control Column	80 mm diameter
Slope of Control Column in Neutral Elevator Position	approx 10 degrees forward slope
Movement of Control Column	approx 10 degrees forward for "down elevator" approx 10 degrees backwards for "up elevator"

## RUDDER PEDALS

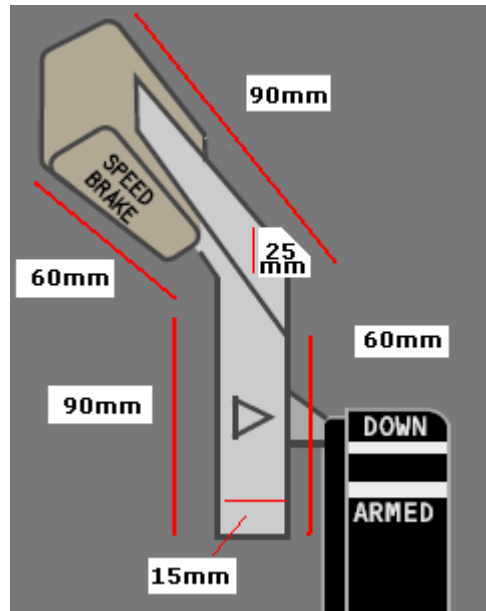




<b>RUDDER PEDALS DATA</b>	
Rudder Pedal Width	150 mm
Rudder Pedal Height	230 mm
Height above Rudder Pedal Floor	135 mm measured from rudder floor to bottom of rudder bar
Rudder Pedal Travel forward / aft	100 mm from neutral position

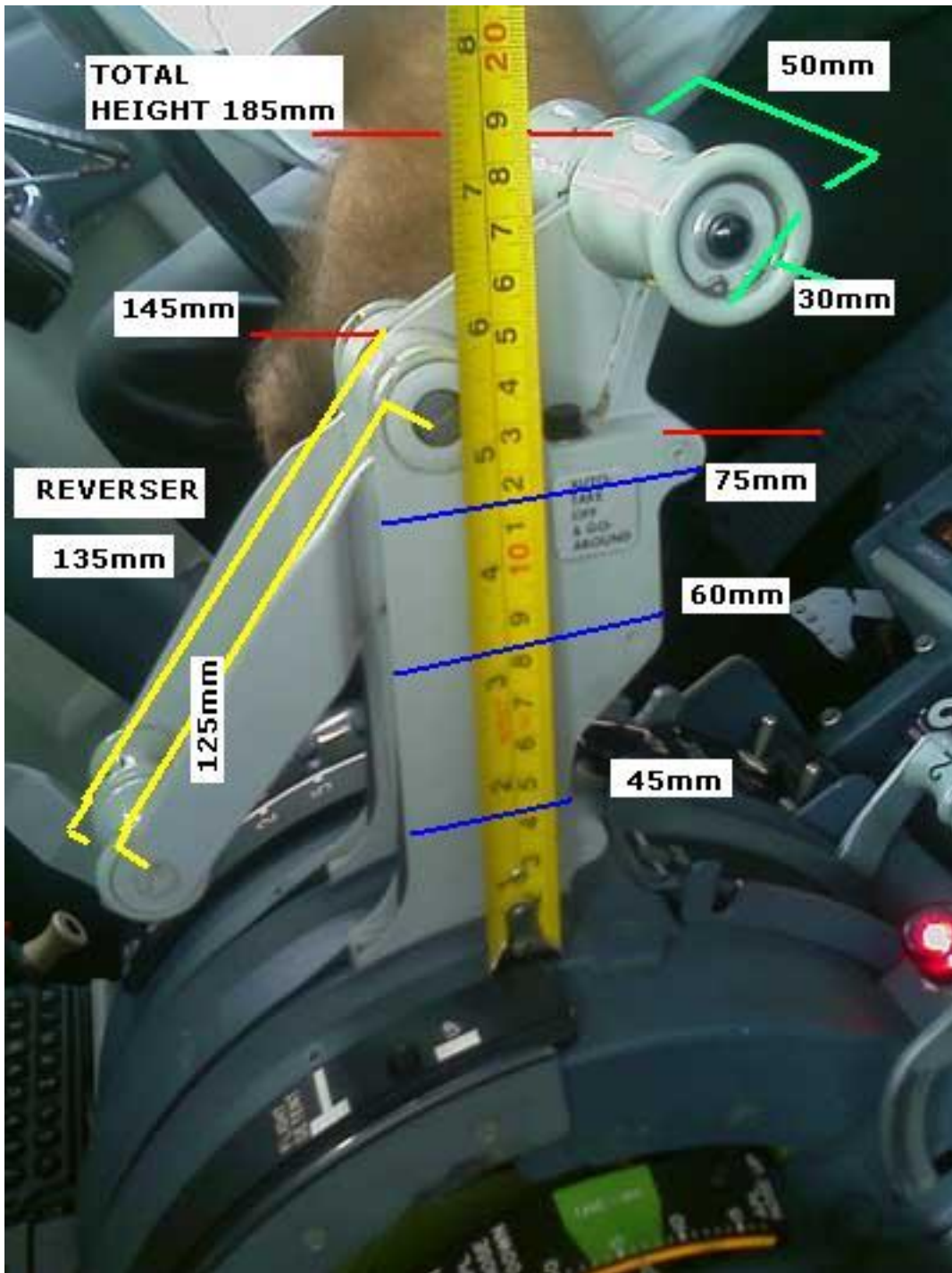


## **SPEEDBRAKE LEVER**



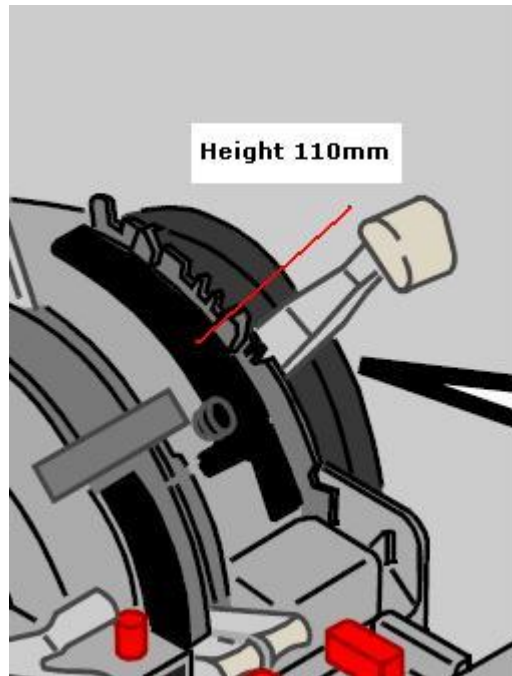
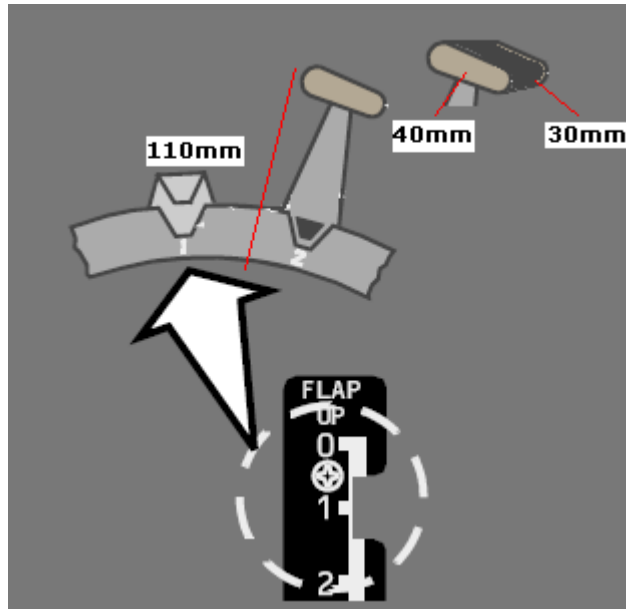
<b>SPEEDBRAKE LEVER</b>	
HEIGHT TOTAL	150mm
LOWER LEVER	
UPPER LEVER	
HANDLE	25 x 15 mm

# THRUST LEVERS



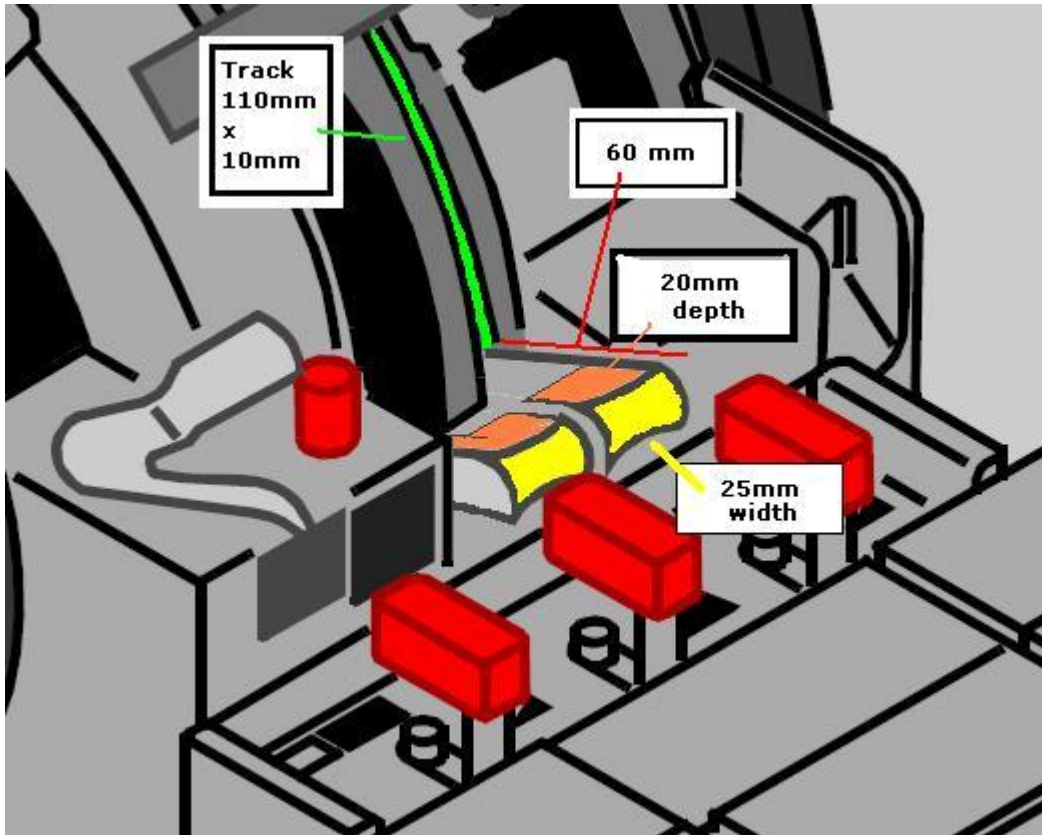
<b>THRUST LEVER</b>	
HEIGHT TOTAL	185mm
THRUST LEVER	
HANDLE WIDTH	50mm
HANDLE DIAMETER	30mm
REVERSE LEVER	135 mm
HANDLE WIDTH	23mm
HANDLE DIAMETER	25mm

## FLAP LEVER



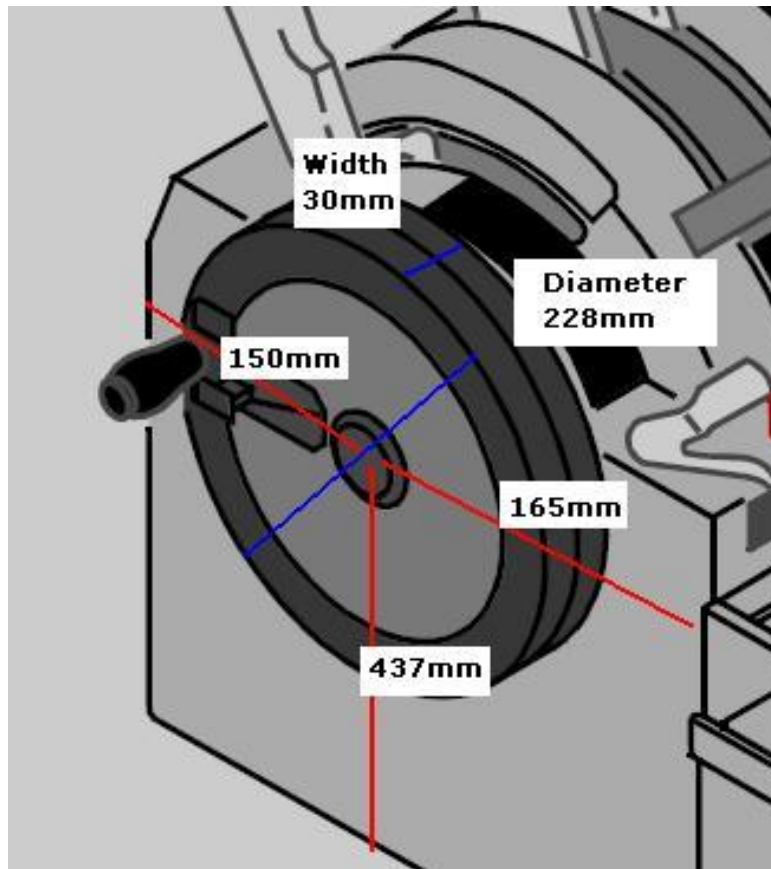
FLAP LEVER	
HEIGHT TOTAL	110 mm
HANDLE	40 mm
	30 mm

## START LEVERS



START LEVERS	
LENGTH TOTAL	60 mm
HANDLE	25 mm
	20 mm
TRACK	110 x 10 mm

## STABILISER TRIM WHEEL



STAB TRIM WHEEL	
POSITION	
HEIGHT	437 mm
AXEL	150mm / 165 mm from edges
DIAMETER	228mm
WIDTH	30mm